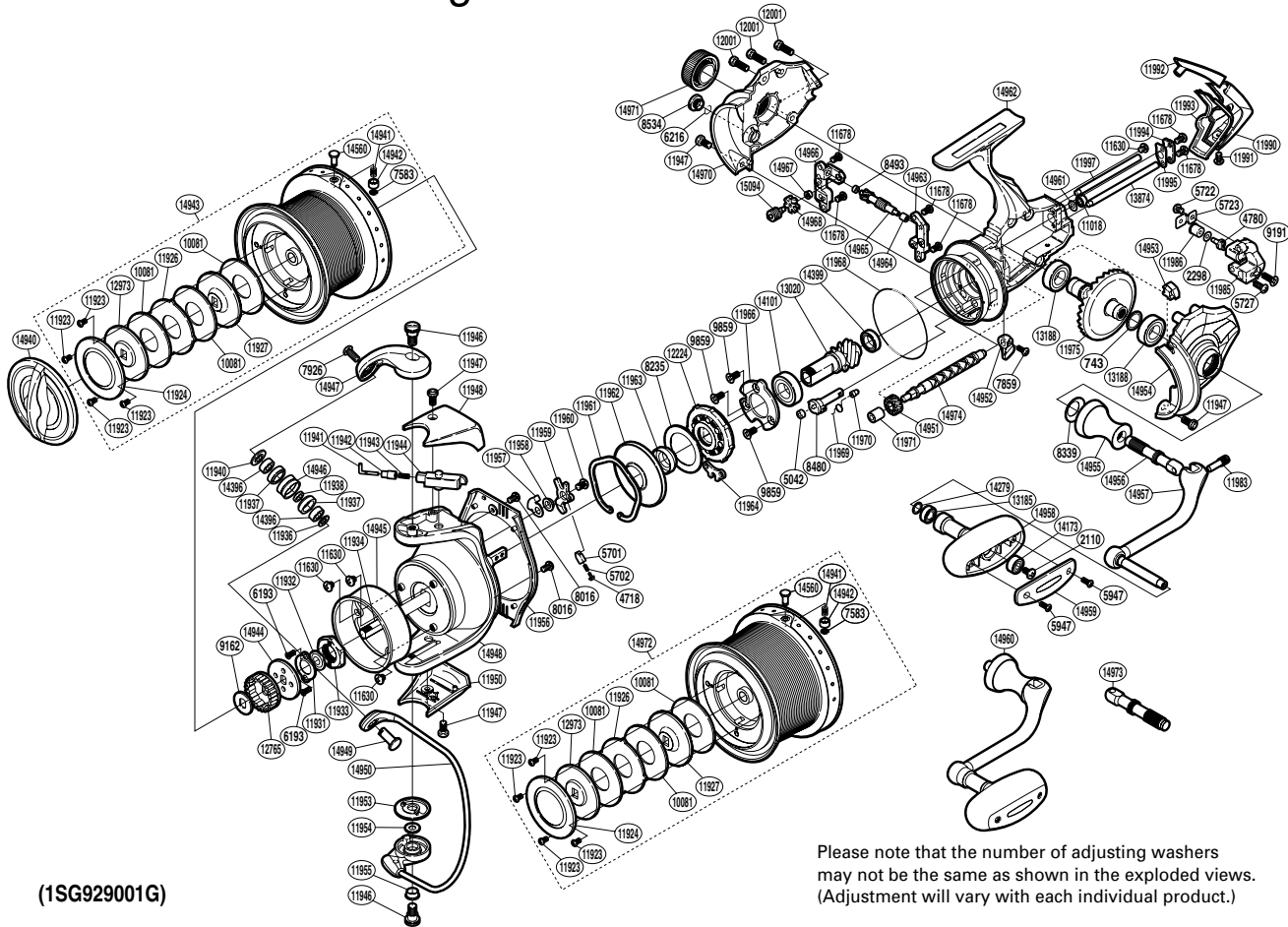


SHIMANO

AERO TECHNIUM MgS SA-RB

ARTCMGS-10000XSB



(1SG929001G)

Please note that the number of adjusting washers may not be the same as shown in the exploded views. (Adjustment will vary with each individual product.)

Part No.	Description	Part No.	Description	Part No.	Description
RD 0743	Washer	RD11942	Spring Guide A Support	RD14101	Ball Bearing
RD 2110	Screw	RD11943	Bail Spring	RD14173	Ball Bearing
RD 2298	Spacer	RD11944	Bail Spring Guide B	RD14279	Washer
RD 4718	Lever Spring Guide A	RD11946	Screw	RD14396	Ball Bearing
RD 4780	Oscillating Pawl	RD11947	Screw	RD14399	Ball Bearing
RD 5042	Anti-Reverse Cam Ring	RD11948	Bail Spring Cover	RD14560	Line Clip
RD 5701	Lever Spring Guide B	RD11950	Bail Hold Support Guard	RD14940	Drag Knob
RD 5702	Lever Spring	RD11953	Bail Hold Support Spacer	RD14941	Line Clip Spring
RD 5722	Screw	RD11954	Washer	RD14942	Line Clip Holder
RD 5723	Oscillating Pawl Cover	RD11955	Screw Collar	RD14943	Spool Assembly
RD 5727	Screw	RD11956	Rotor Guard	RD14944	Spool Support B
RD 5947	Screw	RD11957	Bail Trip Sheet	RD14945	Rotor Brim
RD 6193	Screw	RD11958	Washer	RD14946	Line Roller
RD 6216	O Ring	RD11959	Bail Trip Lever	RD14947	Bail Arm
RD 7583	E Lock	RD11960	Screw	RD14948	Rotor
RD 7859	Screw	RD11961	Roller Clutch Water Proof Retainer	RD14949	Line Roller Support
RD 7926	Screw	RD11962	Roller Clutch Water Proof	RD14950	Bail Assembly
RD 8016	Screw	RD11963	Rotor Ring	RD14951	Idle Gear
RD 8235	Roller Clutch Reinforce	RD11964	Roller Clutch Insole	RD14952	Anti-Reverse Lever
RD 8339	Handle Shaft Seal	RD11966	Bearing Retainer	RD14953	Bail Trip Strike
RD 8480	Anti-Reverse Cam	RD11968	O Ring	RD14954	Side Cover A
RD 8493	Worm Bushing	RD11969	Anti-Reverse Cam Spring	RD14955	Handle Shaft Cover
RD 8534	Oil Cap	RD11970	Spring Collar	RD14956	Handle Shaft (left)
RD 9162	Spool Washer	RD11971	Worm Bushing (front)	RD14957	Handle Shank Assembly
RD 9191	Screw	RD11975	Drive Gear	RD14958	Handle Knob
RD 9859	Screw	RD11983	Handle Shaft Screw	RD14959	Handle Knob I.D. Plate
RD10081	Drag Washer	RD11985	Oscillating Slider	RD14960	Handle Assembly
RD11018	Ball Bearing	RD11986	Oscillating Slider Bushing	RD14961	Washer
RD11630	Screw	RD11990	Rear Protector A	RD14962	Body
RD11678	Screw	RD11991	Screw	RD14963	Drive Gear Side Guide
RD11923	Screw	RD11992	Rear Protector B	RD14964	Worm Bushing
RD11924	Seal Plate	RD11993	Rear Shield	RD14965	Idle Worm Gear
RD11926	Eared Washer	RD11994	Worm Shaft Retainer	RD14966	Worm Gear Side Guide
RD11927	Key Washer	RD11995	Worm Shaft Retainer Washer	RD14967	Worm Bushing
RD11931	Nut Lock Plate	RD11997	Oscillating Guide B	RD14968	Idle Gear
RD11932	Bearing Water Proof	RD12001	Screw	RD14970	Side Cover B
RD11933	Rotor Nut	RD12224	Roller Clutch Assembly	RD14971	Handle Screw Cap
RD11934	Main Shaft	RD12765	Spool Support A	RD14974	Worm Shaft
RD11936	Line Roller Support Collar	RD12973	Key Washer	RD15094	Pinion Worm Gear
RD11937	Line Roller Bushing	RD13020	Pinion Gear		
RD11938	Bearing Spacer	RD13185	Ball Bearing	RD14972	Spare Spool Assembly
RD11940	Line Roller Plate	RD13188	Ball Bearing		
RD11941	Bail Spring Guide A	RD13874	Oscillating Guide A	RD14973	Handle Shaft (right) (accessory)