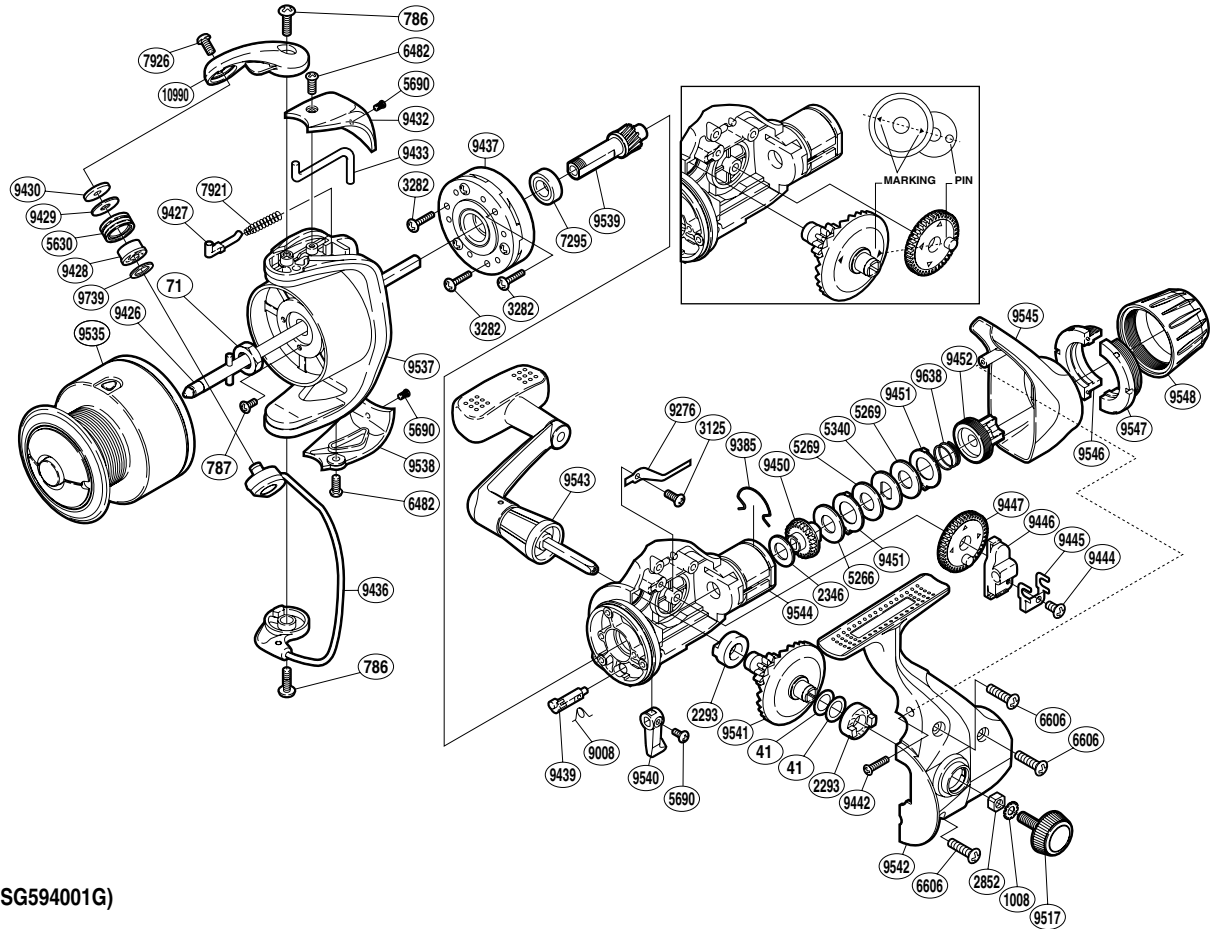


SHIMANO®

Alivio

ALV-4000RA



(1SG594001G)

Part No.	Description	Part No.	Description	Part No.	Description
RD 0041	Washer	RD 9008	Anti-Reverse Cam Spring	RD 9452	Pressure Screw
RD 0071	Rotor Nut	RD 9276	Drag Click	RD 9517	Handle Screw Cap
RD 0786	Screw	RD 9385	Hold Click Spring	RD 9535	Spool Assembly
RD 0787	Screw	RD 9426	Main Shaft	RD 9537	Rotor
RD 1008	Handle Lock Washer	RD 9427	Bail Spring Guide	RD 9538	Bail Hold Support Guard
RD 2293	Drive Gear Bushing	RD 9428	Line Roller Bushing	RD 9539	Pinion Gear
RD 2346	Drag Washer C (cloth)	RD 9429	Line Roller Spacer	RD 9540	Anti-Reverse Lever
RD 2852	Handle Screw Lock	RD 9430	Line Roller Washer	RD 9541	Drive Gear
RD 3125	Screw	RD 9432	Bail Spring Cover	RD 9542	Side Cover
RD 3282	Screw	RD 9433	Bail Trip Lever	RD 9543	Handle Assembly
RD 5266	Drag Washer H (cloth)	RD 9436	Bail Assembly	RD 9544	Body
RD 5269	Drag Washer H (blue)	RD 9437	Roller Clutch Assembly	RD 9545	Rear Protector
RD 5340	Key Washer A	RD 9439	Anti-Reverse Cam	RD 9546	Drag Programmer B1
RD 5630	Line Roller	RD 9442	Screw	RD 9547	Drag Programmer B2
RD 5690	Screw	RD 9444	Slider Retainer Screw	RD 9548	Drag Programmer A
RD 6482	Screw	RD 9445	Oscillating Slider Retainer	RD 9638	Drag Coil Spring
RD 6606	Screw	RD 9446	Oscillating Slider	RD 9739	Bearing Spacer
RD 7295	Ball Bearing	RD 9447	Oscillating Gear	RD10990	Bail Arm
RD 7921	Bail Spring	RD 9450	Drag Shaft		
RD 7926	Screw	RD 9451	Eared Washer		