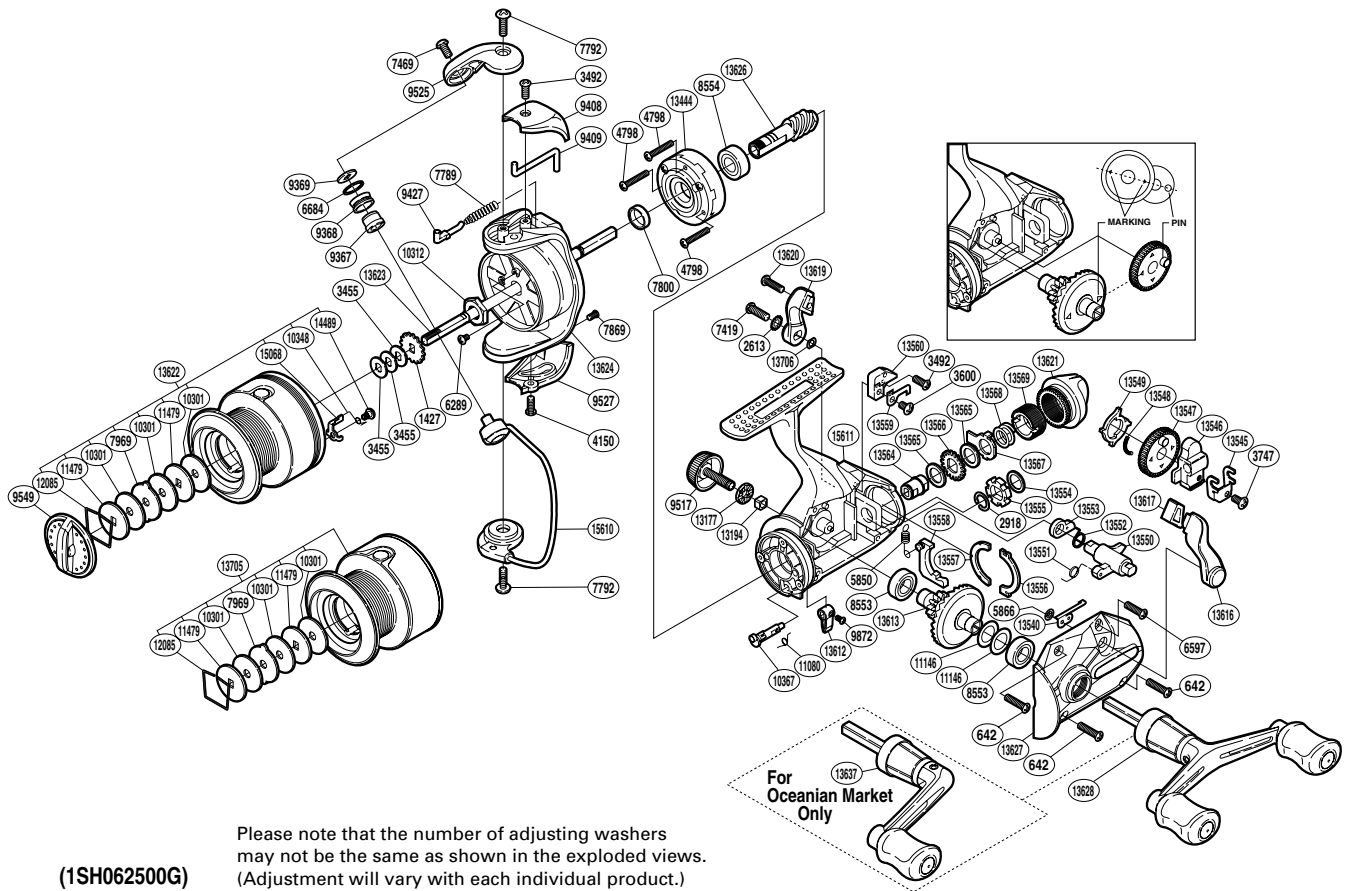


SHIMANO

BAITRUNNER DL

BTRDL-2500FA



Please note that the number of adjusting washers may not be the same as shown in the exploded views. (Adjustment will vary with each individual product.)

(1SH062500G)

| Part No. | Description | Part No. | Description | Part No. | Description |
|----------|------------------------|----------|---------------------------------|----------|-------------------------------|
| RD 0642 | Screw | RD 9525 | Bail Arm | RD13560 | Dial Click Holder |
| RD 1427 | Spool Support | RD 9527 | Bail Hold Support Guard | RD13564 | Free Spool Tension Shaft |
| RD 2613 | Lock Washer | RD 9549 | Drag Knob | RD13565 | Free Spool Tension Washer |
| RD 2918 | C Lock | RD 9872 | Screw | RD13566 | Click Gear |
| RD 3455 | Spool Washer | RD10301 | Drag Washer | RD13567 | Eared Washer |
| RD 3492 | Screw | RD10312 | Rotor Nut | RD13568 | Free Spool Tension Spring |
| RD 3600 | Screw | RD10348 | Click Spring | RD13569 | Free Spool Tension Screw |
| RD 3747 | Screw | RD10367 | Anti-Reverse Cam | RD13612 | Anti-Reverse Lever |
| RD 4150 | Screw | RD11080 | Anti-Reverse Cam Spring | RD13613 | Drive Gear |
| RD 4798 | Screw | RD11146 | Washer | RD13616 | BaitRunner Lever Arm L |
| RD 5850 | BaitRunner Pawl Spring | RD11479 | Key Washer | RD13617 | BaitRunner Lever Bridge |
| RD 5866 | Push Nut | RD12085 | Drag Washers Retainer | RD13619 | BaitRunner Lever Arm R |
| RD 6289 | Screw | RD13177 | Handle Screw Cap Spacer | RD13620 | Screw |
| RD 6597 | Screw | RD13194 | Handle Screw Lock | RD13621 | BaitRunner Tension Dial |
| RD 6684 | Line Roller Spacer | RD13444 | Roller Clutch Assembly | RD13622 | Spool Assembly |
| RD 7419 | Screw | RD13540 | BaitRunner Click | RD13623 | Main Shaft |
| RD 7469 | Screw | RD13545 | Oscillating Slider Retainer | RD13624 | Rotor |
| RD 7789 | Bail Spring | RD13546 | Oscillating Slider | RD13626 | Pinion Gear |
| RD 7792 | Screw | RD13547 | Oscillating Gear | RD13627 | Side Cover |
| RD 7800 | Rotor Ring | RD13548 | Oscillating Gear Ratchet Spring | RD13628 | Double Paddle Handle Assembly |
| RD 7869 | Screw | RD13549 | Oscillating Gear Ratchet | RD13706 | Washer |
| RD 7969 | Eared Washer | RD13550 | Clutch Arm | RD14489 | Screw |
| RD 8553 | Ball Bearing | RD13551 | Clutch Cam Spring | RD15068 | Drag Click |
| RD 8554 | Ball Bearing | RD13552 | Clutch Spring | RD15610 | Bail Assembly |
| RD 9367 | Line Roller Bushing | RD13553 | Clutch Cam | RD15611 | Body |
| RD 9368 | Line Roller | RD13554 | Spacer | | |
| RD 9369 | Line Roller Washer | RD13555 | BaitRunner Ratchet | RD13705 | Spare Spool Assembly |
| RD 9408 | Bail Spring Cover | RD13556 | Dial Retainer | | |
| RD 9409 | Bail Trip Lever | RD13557 | Dial Retainer B | | |
| RD 9427 | Bail Spring Guide | RD13558 | BaitRunner Pawl | | |
| RD 9517 | Handle Screw Cap | RD13559 | Dial Click | RD13637 | Handle Assembly |