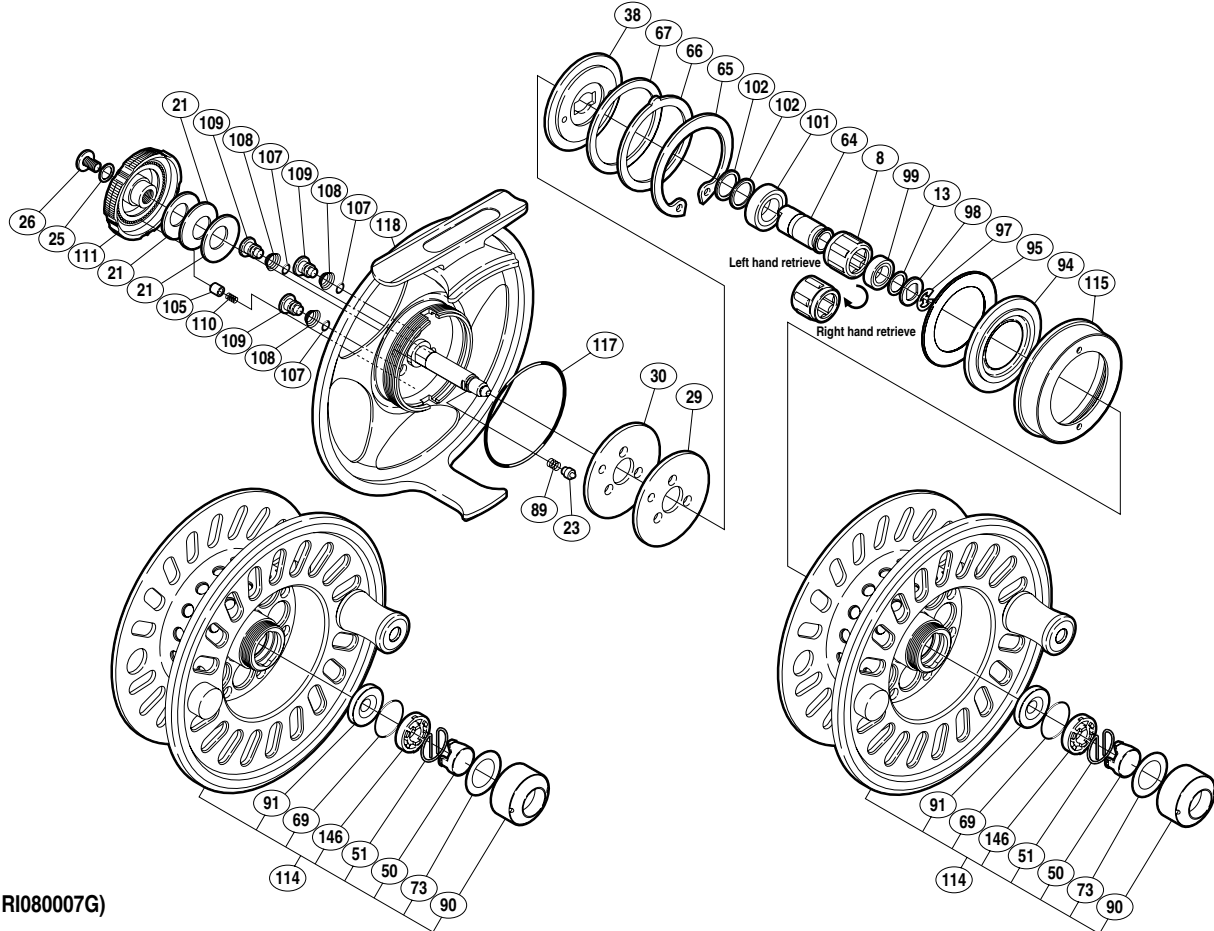


SHIMANO

BIGRAFT XTR S A-RB

BC-XTR78LA



(1R1080007G)

Part No.	Description	Part No.	Description
FLY0008	Roller Clutch	FLY0091	Spool Seal
FLY0013	Washer	FLY0094	Seal
FLY0021	Coned Disc Spring	FLY0095	Seal Support
FLY0023	Click Pin	FLY0097	E Lock
FLY0025	Washer	FLY0098	Washer
FLY0026	Drag Knob Screw	FLY0099	Ball Bearing
FLY0029	Drag Washer	FLY0101	Ball Bearing
FLY0030	Drag Washer	FLY0102	Washer
FLY0038	Drag Plate	FLY0105	Click Pin
FLY0050	Push Button	FLY0107	Drag Press Seal
FLY0051	Locking Spring	FLY0108	Drag Press Spring
FLY0064	Roller Clutch Inner Tube	FLY0109	Drag Press
FLY0065	Snap Spring	FLY0110	Click Spring
FLY0066	Eared Washer	FLY0111	Drag Knob
FLY0067	Drag Washer	FLY0114	Spool Set
FLY0069	O Ring	FLY0115	Seal Cover
FLY0073	Washer	FLY0117	O Ring
FLY0089	Click Spring	FLY0118	Back Plate Assembly
FLY0090	Push Button Collar	FLY0146	Main Shaft Bushing