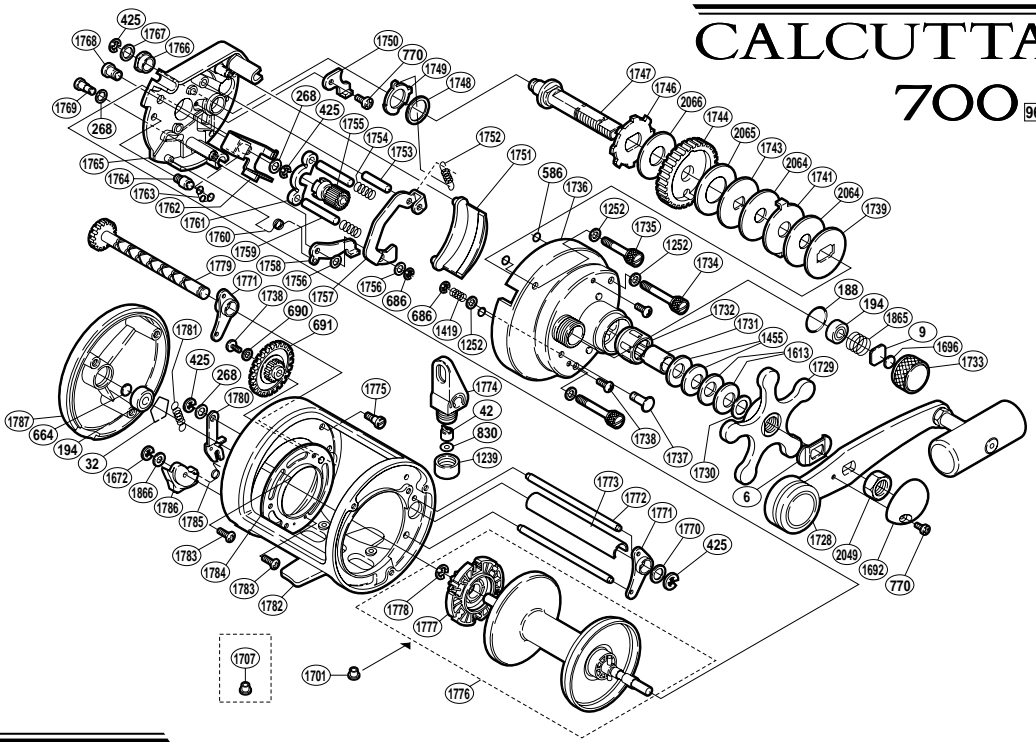


# CALCUTTA 700 <sup>96</sup>



BNT No.	PARTS NAMES	BNT No.	PARTS NAMES	BNT No.	PARTS NAMES
0006	Friction Washer	1734	Right Side Plate Bolt (A)	1767	Drive Shaft Washer
0009	Cast Control Spacer (A)	1735	Right Side Plate Bolt (B)	1768	Clutch Button Guide Pin
0032	Bearing Retainer	1736	Right Side Plate	1769	Clutch Pawl Pin
0042	Line Guide Pawl	1737	Pressure Rivet	1770	Worm Shaft Spacer
0188	"O" Ring	1738	Multi-Purpose Screw (B)	1771	Worm Bushing
0194	Ball Bearing	1739	Key Washer	1772	Stabilizer Bar
0268	Washer	1741	Eared Washer (C)	1773	Level Wind Guard
0425	"E" Lock	1743	Key Washer (E)	1774	Line Guide
0586	Bolt Retainer	1744	Drive Gear	1775	Left Side Plate Bolt
0664	Spacer (B)	1746	Anti-Reverse Ratchet	1776	Spool Assembly
0686	"E" Lock	1747	Drive Shaft	1777	Click Gear Assembly
0690	Lock Washer	1748	Retraction Cam Washer	1778	"E" Lock
0691	Idle Gear "B"	1749	Retraction Cam	1779	Worm Shaft
0770	Multi-Purpose Screw (A)	1750	Cam Backing Plate	1780	Click Pawl
0830	Spacer (optional)	1751	Plastic Gear Plate	1781	Click Spring
1239	Pawl Cap	1752	Clutch Retraction Spring	1782	One-Piece Frame
1252	Right Side Plate Bolt Washer	1753	Pivot Pin	1783	Left Side Plate Screw
1419	Spring	1754	Yoke Spring	1784	Set Plate (B)
1455	Drag Spring Washer (H)	1755	Pinion Gear	1785	Click Switch Spring
1613	Drag Spring Washer (L)	1756	Clutch Spacer	1786	Click Switch
1672	"E" Lock	1757	Clutch Plate	1787	Left Side Plate
1692	Handle Nut Plate	1758	Clutch Pawl	1865	Spool Tension Spring
1696	Cast Control Spacer (B)	1759	Yoke Pin	1866	Spacer
1701	Brake Collar (gray)	1760	Clutch Pawl Spring	2049	Handle Nut
1728	Handle Assembly	1761	Yoke	2064	Drag Washer (B)
1729	Star Drag	1762	Clutch Button	2065	Drag Washer (F)
1730	Star Drag Washer	1763	Retractor Spring	2066	Drag Washer (G)
1731	Roller Clutch Inner Tube	1764	Retractor Spring Pin		
1732	Roller Clutch Bearing	1765	Set Plate (A)		
1733	Cast Control Cap	1766	Drive Shaft Bushing	1707	Brake Collar (clear)