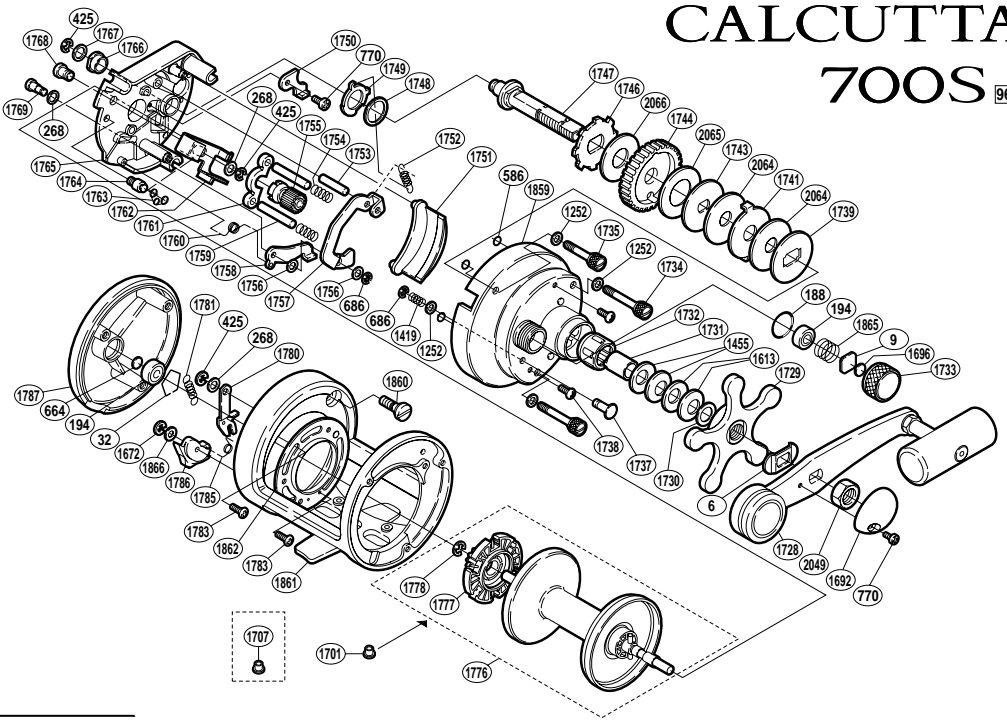


CALCUTTA 700S 96



| BNT No. | PARTS NAMES | BNT No. | PARTS NAMES | BNT No. | PARTS NAMES |
|---------|------------------------------|---------|--------------------------|---------|-------------------------|
| 0006 | Friction Washer | 1737 | Pressure Rivet | 1767 | Drive Shaft Washer |
| 0009 | Cast Control Spacer (A) | 1738 | Set Plate (A) Screw | 1768 | Clutch Button Guide Pin |
| 0032 | Bearing Retainer | 1739 | Key Washer | 1769 | Clutch Pawl Pin |
| 0188 | "O" Ring | 1741 | Eared Washer (C) | 1776 | Spool Assembly |
| 0194 | Ball Bearing | 1743 | Key Washer (E) | 1777 | Click Gear Assembly |
| 0268 | Washer | 1744 | Drive Gear | 1778 | "E" Lock |
| 0425 | "E" Lock | 1746 | Anti-Reverse Ratchet | 1780 | Click Pawl |
| 0586 | Bolt Retainer | 1747 | Drive Shaft | 1781 | Click Spring |
| 0664 | Spacer (B) | 1748 | Retraction Cam Washer | 1783 | Left Side Plate Screw |
| 0686 | "E" Lock | 1749 | Retraction Cam | 1785 | Click Switch Spring |
| 0770 | Multi-Purpose Screw | 1750 | Cam Backing Plate | 1786 | Click Switch |
| 1252 | Right Side Plate Bolt Washer | 1751 | Plastic Gear Plate | 1787 | Left Side Plate |
| 1419 | Spring | 1752 | Clutch Retraction Spring | 1859 | Right Side Plate |
| 1455 | Drag Spring Washer (H) | 1753 | Pivot Pin | 1860 | Left Side Plate Bolt |
| 1613 | Drag Spring Washer (L) | 1754 | Yoke Spring | 1861 | One-Piece Frame |
| 1672 | "E" Lock | 1755 | Pinion Gear | 1862 | Set Plate (B) |
| 1692 | Handle Nut Plate | 1756 | Clutch Spacer | 1865 | Spool Tension Spring |
| 1696 | Cast Control Spacer (B) | 1757 | Clutch Plate | 1866 | Spacer |
| 1701 | Brake Collar (gray) | 1758 | Clutch Pawl | 2049 | Handle Nut |
| 1728 | Handle Assembly | 1759 | Yoke Pin | 2064 | Drag Washer (B) |
| 1729 | Star Drag | 1760 | Clutch Pawl Spring | 2065 | Drag Washer (F) |
| 1730 | Star Drag Washer | 1761 | Yoke | 2066 | Drag Washer (G) |
| 1731 | Roller Clutch Inner Tube | 1762 | Clutch Button | | |
| 1732 | Roller Clutch Bearing | 1763 | Retractor Spring | | |
| 1733 | Cast Control Cap | 1764 | Retractor Spring Pin | | |
| 1734 | Right Side Plate Bolt (A) | 1765 | Set Plate (A) | | |
| 1735 | Right Side Plate Bolt (B) | 1766 | Drive Shaft Bushing | 1707 | Brake Collar (clear) |