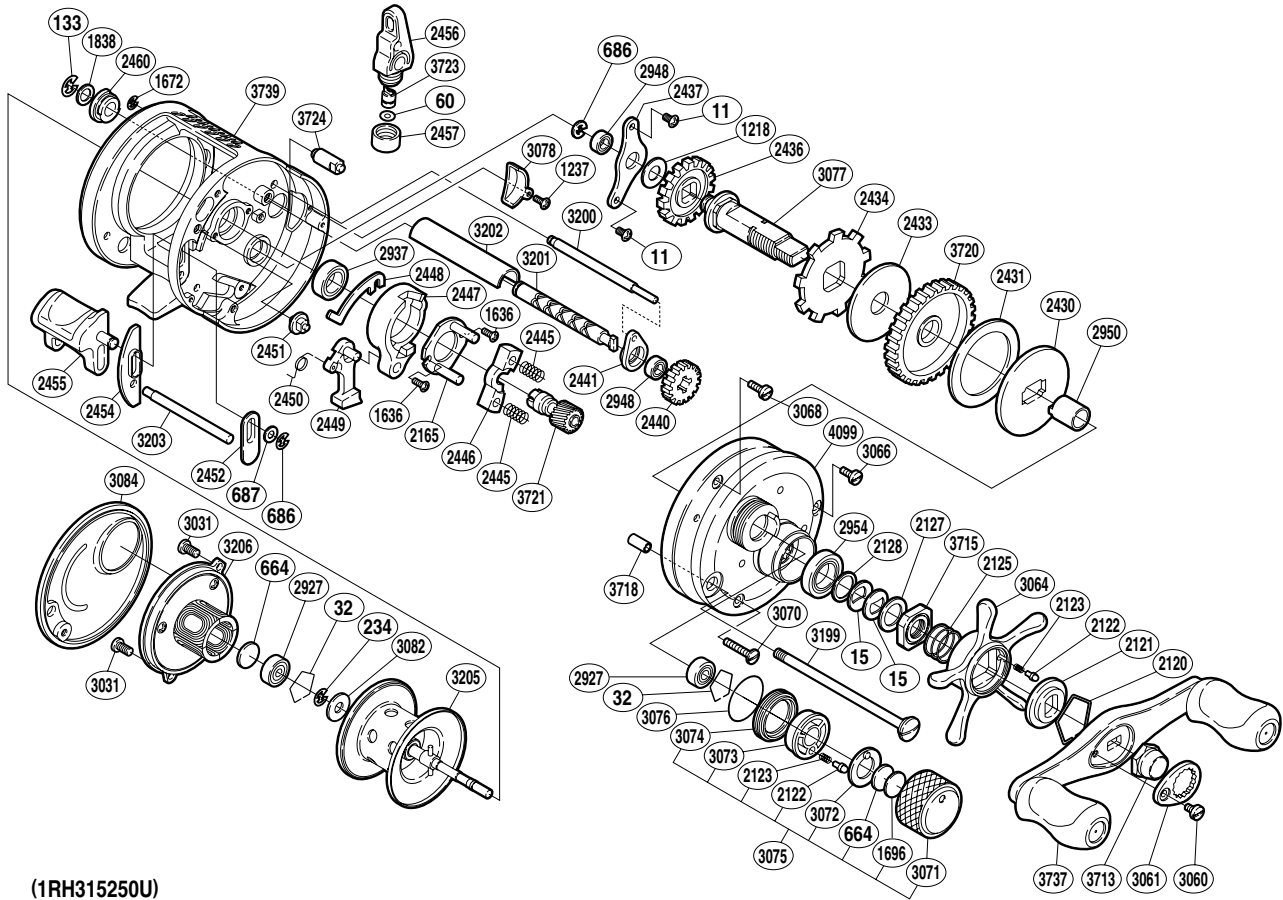


SHIMANO

CALCUTTA TE

CTE-250DC



(1RH315250U)

Part No.	Description	Part No.	Description	Part No.	Description
BNT0011	Screw	BNT2437	Drive Shaft Retainer	BNT3071	Cast Control Cap
BNT0015	Drag Spring Washer	BNT2440	Idle Gear C	BNT3072	Cast Control Click Plate
BNT0032	Bearing Retainer	BNT2441	Worm Bushing A	BNT3073	Click Pin Holder
BNT0060	Spacer	BNT2445	Yoke Spring	BNT3074	Cast Control Click Holder
BNT0133	E Lock	BNT2446	Yoke	BNT3075	Cast Control Cap Assembly
BNT0234	E Lock	BNT2447	Clutch Cam	BNT3076	O Ring
BNT0664	Spacer B	BNT2448	Clutch Plate	BNT3077	Drive Shaft
BNT0686	E Lock	BNT2449	Clutch Pawl	BNT3078	Frame Shield
BNT0687	Spacer	BNT2450	Clutch Pawl Spring	BNT3082	Magnetic Plate
BNT1218	Idle Gear A Spacer	BNT2451	Set Pin	BNT3084	Left Side Plate
BNT1237	Screw	BNT2452	Clutch Bar Guide A	BNT3199	Side Plate Shaft
BNT1636	Screw	BNT2454	Clutch Bar Guide B	BNT3200	Level Wind Guide
BNT1672	E Lock	BNT2455	Quick-Fire II Clutch Bar	BNT3201	Worm Shaft
BNT1696	Cast Control Spacer B	BNT2456	Line Guide	BNT3202	Level Wind Guard
BNT1838	Worm Shaft Spacer	BNT2457	Pawl Cap	BNT3203	Clutch Bar Support
BNT2120	Click Plate Retainer	BNT2460	Worm Bushing B	BNT3205	Spool Assembly
BNT2121	Star Drag Click	BNT2927	Ball Bearing	BNT3206	Digital Control Assembly
BNT2122	Click Pin	BNT2937	Ball Bearing	BNT3713	Handle Nut
BNT2123	Click Spring	BNT2948	Ball Bearing	BNT3715	Star Drag Nut
BNT2125	Star Drag Spring	BNT2950	Roller Clutch Inner Tube	BNT3718	Screw Collar
BNT2127	Star Drag Spacer	BNT2954	Star Drag Bearing	BNT3720	Drive Gear
BNT2128	Bearing Washer	BNT3031	Screw	BNT3721	Pinion Gear
BNT2165	Clutch Cam Retainer	BNT3060	Screw	BNT3723	Line Guide Pawl
BNT2430	Key Washer	BNT3061	Handle Nut Plate	BNT3724	Anti-Reverse Pawl Pin
BNT2431	Drag Washer C	BNT3064	Star Drag	BNT3737	Handle Assembly
BNT2433	Drag Washer A	BNT3066	Screw	BNT3739	One-Piece Frame
BNT2434	Anti-Reverse Ratchet	BNT3068	Screw	BNT4099	Right Side Plate
BNT2436	Idle Gear A	BNT3070	Screw		