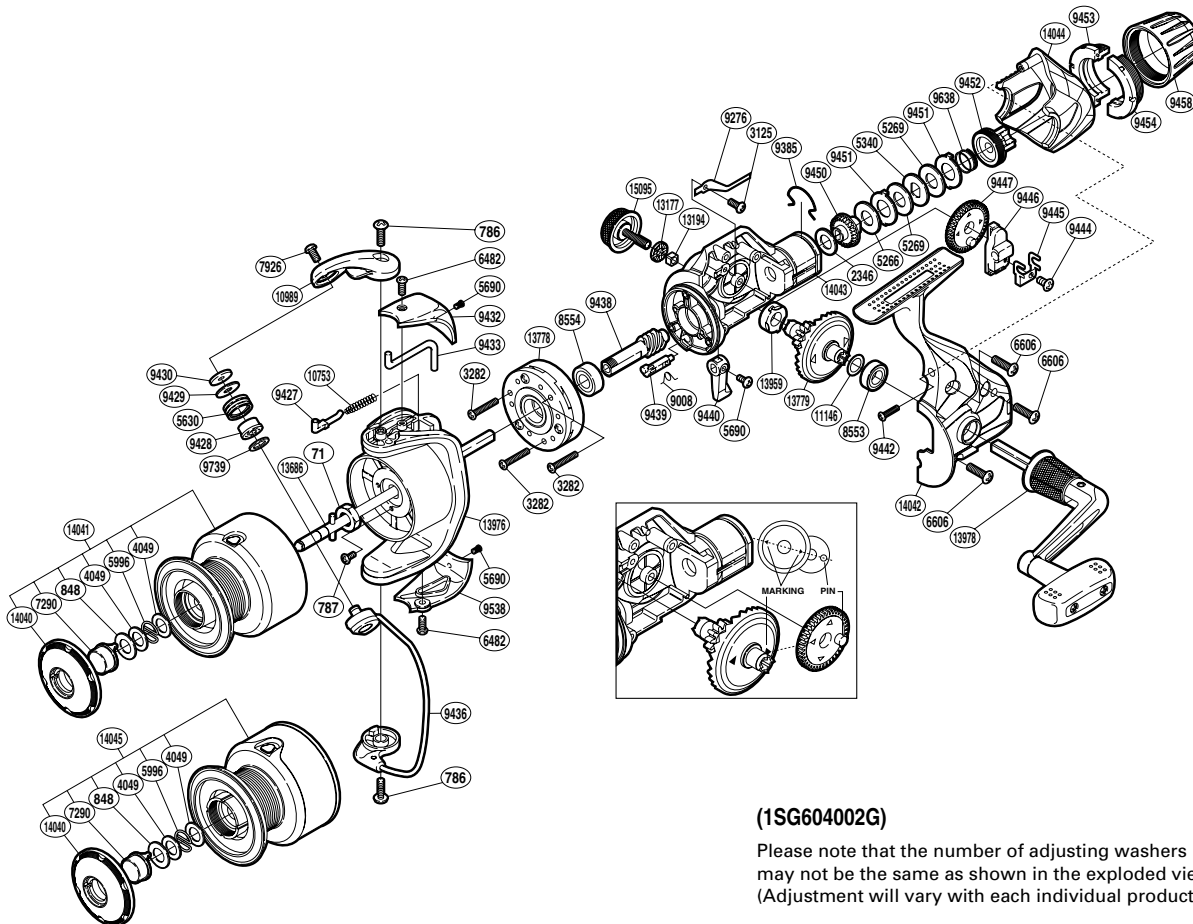


# SHIMANO

## CATANA

### CAT-4000RB



(1SG604002G)

Please note that the number of adjusting washers may not be the same as shown in the exploded views. (Adjustment will vary with each individual product.)

Part No.	Description	Part No.	Description	Part No.	Description
RD 0071	Rotor Nut	RD 9385	Hold Click Spring	RD 9538	Bail Hold Support Guard
RD 0786	Screw	RD 9427	Bail Spring Guide	RD 9638	Drag Coil Spring
RD 0787	Screw	RD 9428	Line Roller Bushing	RD 9739	Bearing Spacer
RD 0848	Washer	RD 9429	Line Roller Spacer	RD10753	Bail Spring
RD 2346	Drag Washer	RD 9430	Line Roller Washer	RD10989	Bail Arm
RD 3125	Screw	RD 9432	Bail Spring Cover	RD11146	Washer
RD 3282	Screw	RD 9433	Bail Trip Lever	RD13177	Handle Screw Cap Spacer
RD 4049	Washer	RD 9436	Bail Assembly	RD13194	Handle Screw Lock
RD 5266	Drag Washer	RD 9438	Pinion Gear	RD13686	Main Shaft
RD 5269	Drag Washer	RD 9439	Anti-Reverse Cam	RD13778	Roller Clutch Assembly
RD 5340	Key Washer	RD 9440	Anti-Reverse Lever	RD13779	Drive Gear
RD 5630	Line Roller	RD 9442	Screw	RD13959	Drive Gear Bushing
RD 5690	Screw	RD 9444	Screw	RD13976	Rotor
RD 5996	Locking Spring	RD 9445	Oscillating Slider Retainer	RD13978	Handle Assembly
RD 6482	Screw	RD 9446	Oscillating Slider	RD14040	Push Button Collar
RD 6606	Screw	RD 9447	Oscillating Gear	RD14041	Spool Assembly
RD 7290	Push Button	RD 9450	Drag Shaft	RD14042	Side Cover
RD 7926	Screw	RD 9451	Eared Washer	RD14043	Body
RD 8553	Ball Bearing	RD 9452	Pressure Screw	RD14044	Rear Protector
RD 8554	Ball Bearing	RD 9453	Drag Programmer B1	RD15095	Handle Screw Cap
RD 9008	Anti-Reverse Cam Spring	RD 9454	Drag Programmer B2		
RD 9276	Drag Click	RD 9458	Drag Programmer A	RD14045	Spare Spool Assembly