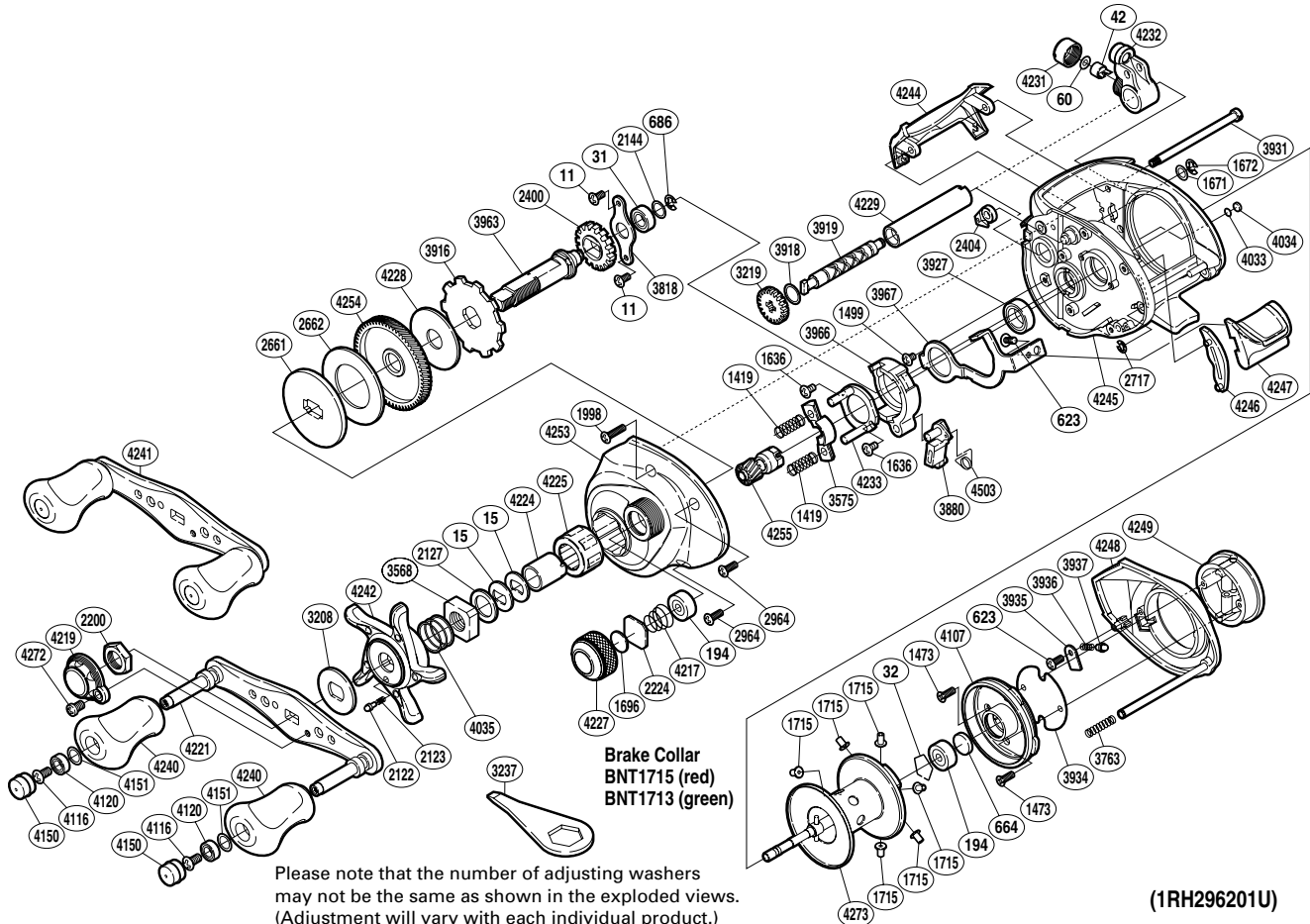


# SHIMANO

## CHRONARCH SA-RB

## CH-201E5



| Part No. | Description          | Part No. | Description           | Part No. | Description                      |
|----------|----------------------|----------|-----------------------|----------|----------------------------------|
| BNT0011  | Screw                | BNT2717  | E Lock                | BNT4217  | Spool Tension Spring             |
| BNT0015  | Drag Spring Washer   | BNT2964  | Screw                 | BNT4219  | Handle Retainer                  |
| BNT0031  | Ball Bearing         | BNT3208  | Star Drag Click Plate | BNT4221  | Handle Shank Assembly            |
| BNT0032  | Bearing Retainer     | BNT3219  | Idle Gear             | BNT4224  | Roller Clutch Inner Tube         |
| BNT0042  | Line Guide Pawl      | BNT3568  | Star Drag Nut         | BNT4225  | Roller Clutch Bearing            |
| BNT0060  | Spacer               | BNT3575  | Yoke                  | BNT4227  | Cast Control Cap                 |
| BNT0194  | Ball Bearing         | BNT3763  | Side Plate Spring     | BNT4228  | Drag Washer                      |
| BNT0623  | Screw                | BNT3818  | Drive Shaft Retainer  | BNT4229  | Level Wind Guard                 |
| BNT0664  | Spacer B             | BNT3880  | Clutch Pawl           | BNT4231  | Pawl Cap                         |
| BNT0686  | E Lock               | BNT3916  | Anti-Reverse Ratchet  | BNT4232  | Line Guide                       |
| BNT1419  | Yoke Spring          | BNT3918  | Washer                | BNT4233  | Clutch Cam Retainer              |
| BNT1473  | Screw                | BNT3919  | Worm Shaft            | BNT4240  | Handle Knob                      |
| BNT1499  | Screw                | BNT3927  | Ball Bearing          | BNT4241  | Handle Assembly                  |
| BNT1636  | Screw                | BNT3931  | Level Wind Guide      | BNT4242  | Star Drag                        |
| BNT1671  | Washer               | BNT3934  | Brake Case Spacer     | BNT4244  | Level Wind Protector             |
| BNT1672  | E Lock               | BNT3935  | Brake Spring Retainer | BNT4245  | One-Piece Frame                  |
| BNT1696  | Cast Control Spacer  | BNT3936  | Click Spring          | BNT4246  | Clutch Bar Guide                 |
| BNT1715  | Brake Collar (red)   | BNT3937  | Click Pin             | BNT4247  | Quick-Fire II Clutch Bar         |
| BNT1998  | Screw                | BNT3963  | Drive Shaft           | BNT4248  | Right Side Plate                 |
| BNT2122  | Click Pin            | BNT3966  | Clutch Cam            | BNT4249  | Turnkey Dial                     |
| BNT2123  | Click Spring         | BNT3967  | Clutch Plate          | BNT4253  | Left Side Plate                  |
| BNT2127  | Star Drag Spacer     | BNT4033  | Washer                | BNT4254  | Drive Gear                       |
| BNT2144  | Washer               | BNT4034  | Anti-Thrust Washer    | BNT4255  | Pinion Gear                      |
| BNT2200  | Handle Nut           | BNT4035  | Star Drag Spring      | BNT4272  | Screw                            |
| BNT2224  | Spool Tension Spacer | BNT4107  | Brake Case            | BNT4273  | Spool Assembly                   |
| BNT2400  | Idle Gear            | BNT4116  | Screw                 | BNT4503  | Clutch Pawl Spring               |
| BNT2404  | Anti-Reverse Pawl    | BNT4120  | Ball Bearing          |          |                                  |
| BNT2661  | Key Washer           | BNT4150  | Handle Knob Seal      | BNT1713  | Brake Collar (green) (accessory) |
| BNT2662  | Drag Washer          | BNT4151  | Washer                | BNT3237  | Wrench (accessory)               |