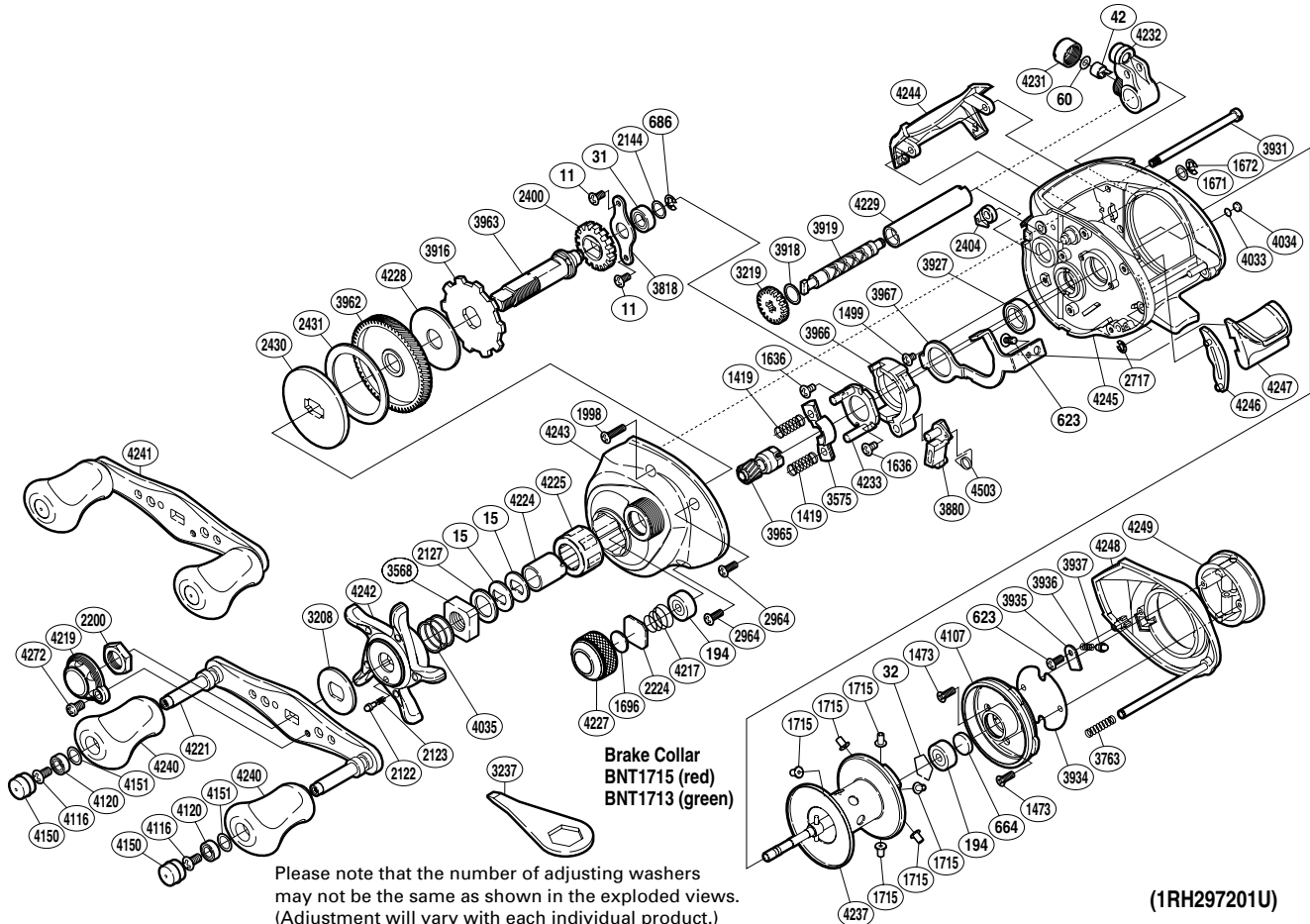


SHIMANO

CHRONARCH SA-RB

CH-201E7



Part No.	Description	Part No.	Description	Part No.	Description
BNT0011	Screw	BNT2717	E Lock	BNT4150	Handle Knob Seal
BNT0015	Drag Spring Washer	BNT2964	Screw	BNT4151	Washer
BNT0031	Ball Bearing	BNT3208	Star Drag Click Plate	BNT4217	Spool Tension Spring
BNT0032	Bearing Retainer	BNT3219	Idle Gear	BNT4219	Handle Retainer
BNT0042	Line Guide Pawl	BNT3568	Star Drag Nut	BNT4221	Handle Shank Assembly
BNT0060	Spacer	BNT3575	Yoke	BNT4224	Roller Clutch Inner Tube
BNT0194	Ball Bearing	BNT3763	Side Plate Spring	BNT4225	Roller Clutch Bearing
BNT0623	Screw	BNT3818	Drive Shaft Retainer	BNT4227	Cast Control Cap
BNT0664	Spacer B	BNT3880	Clutch Pawl	BNT4228	Drag Washer
BNT0686	E Lock	BNT3916	Anti-Reverse Ratchet	BNT4229	Level Wind Guard
BNT1419	Yoke Spring	BNT3918	Washer	BNT4231	Pawl Cap
BNT1473	Screw	BNT3919	Worm Shaft	BNT4232	Line Guide
BNT1499	Screw	BNT3927	Ball Bearing	BNT4233	Clutch Cam Retainer
BNT1636	Screw	BNT3931	Level Wind Guide	BNT4237	Spool Assembly
BNT1671	Washer	BNT3934	Brake Case Spacer	BNT4240	Handle Knob
BNT1672	E Lock	BNT3935	Brake Spring Retainer	BNT4241	Handle Assembly
BNT1696	Cast Control Spacer	BNT3936	Click Spring	BNT4242	Star Drag
BNT1715	Brake Collar (red)	BNT3937	Click Pin	BNT4243	Left Side Plate
BNT1998	Screw	BNT3962	Drive Gear	BNT4244	Level Wind Protector
BNT2122	Click Pin	BNT3963	Drive Shaft	BNT4245	One-Piece Frame
BNT2123	Click Spring	BNT3965	Pinion Gear	BNT4246	Clutch Bar Guide
BNT2127	Star Drag Spacer	BNT3966	Clutch Cam	BNT4247	Quick-Fire II Clutch Bar
BNT2144	Washer	BNT3967	Clutch Plate	BNT4248	Right Side Plate
BNT2200	Handle Nut	BNT4033	Washer	BNT4249	Turnkey Dial
BNT2224	Spool Tension Spacer	BNT4034	Anti-Thrust Washer	BNT4272	Screw
BNT2400	Idle Gear	BNT4035	Star Drag Spring	BNT4503	Clutch Pawl Spring
BNT2404	Anti-Reverse Pawl	BNT4107	Brake Case		
BNT2430	Key Washer	BNT4116	Screw	BNT1713	Brake Collar (green) (accessory)
BNT2431	Drag Washer	BNT4120	Ball Bearing	BNT3237	Wrench (accessory)