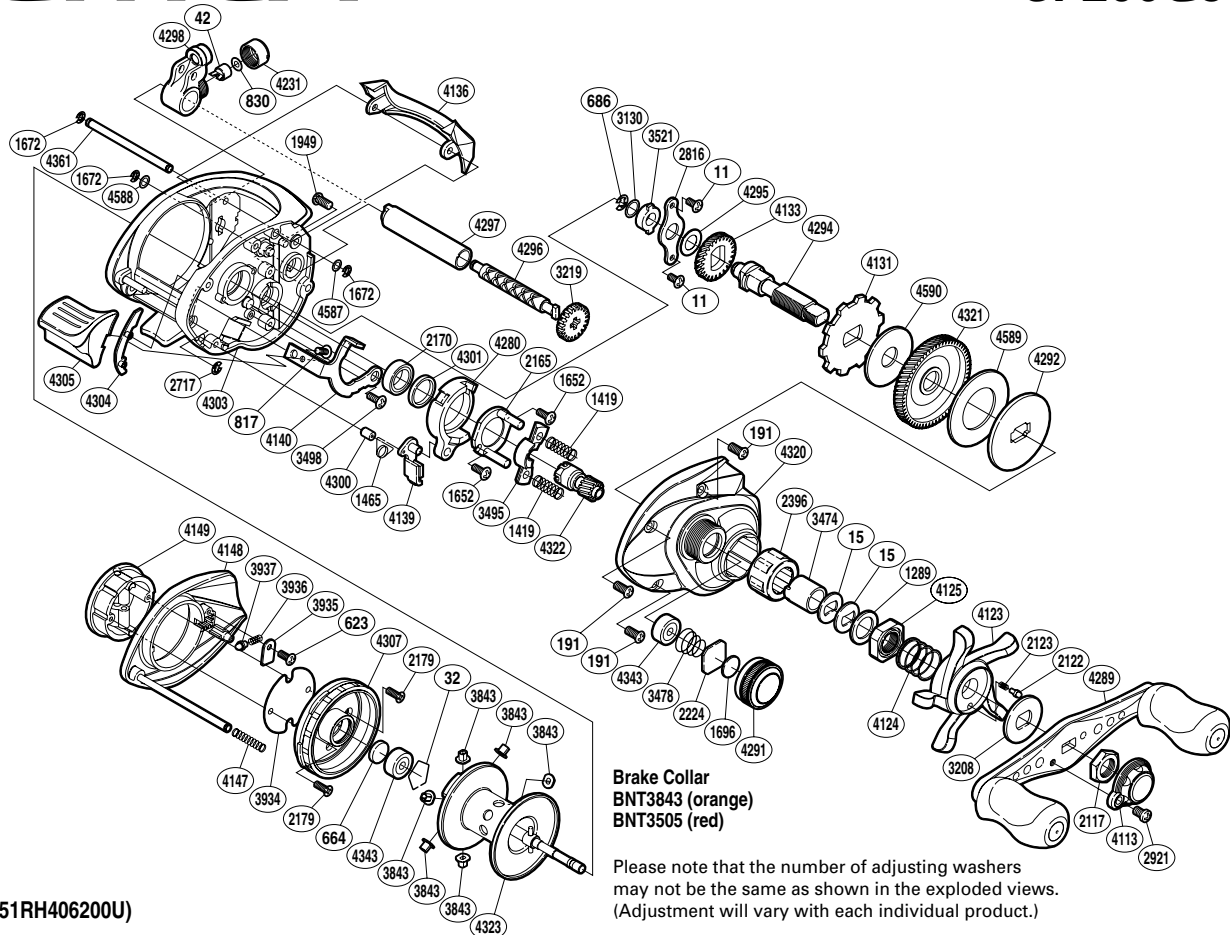


# SHIMANO

## CITICA

## CI-200G5



(51RH406200U)

| Part No. | Description           | Part No. | Description              | Part No. | Description                    |
|----------|-----------------------|----------|--------------------------|----------|--------------------------------|
| BNT0011  | Screw                 | BNT2921  | Screw                    | BNT4280  | Clutch Cam                     |
| BNT0015  | Drag Spring Washer    | BNT3130  | Washer                   | BNT4289  | Handle Assembly                |
| BNT0032  | Bearing Retainer      | BNT3208  | Star Drag Click Plate    | BNT4291  | Cast Control Cap               |
| BNT0042  | Line Guide Pawl       | BNT3219  | Idle Gear                | BNT4292  | Key Washer                     |
| BNT0191  | Screw                 | BNT3474  | Roller Clutch Inner Tube | BNT4294  | Drive Shaft                    |
| BNT0623  | Screw                 | BNT3478  | Spool Tension Spring     | BNT4295  | Washer                         |
| BNT0664  | Spacer B              | BNT3495  | Yoke                     | BNT4296  | Worm Shaft                     |
| BNT0686  | E Lock                | BNT3498  | Screw                    | BNT4297  | Level Wind Guard               |
| BNT0817  | Screw                 | BNT3521  | Drive Shaft Bushing      | BNT4298  | Line Guide                     |
| BNT0830  | Spacer                | BNT3843  | Brake Collar (orange)    | BNT4300  | Retractor Spring Collar        |
| BNT1289  | Star Drag Spacer      | BNT3934  | Brake Case Spacer        | BNT4301  | Bearing Bushing                |
| BNT1419  | Yoke Spring           | BNT3935  | Brake Spring Retainer    | BNT4303  | One-Piece Frame                |
| BNT1465  | Clutch Pawl Spring    | BNT3936  | Click Spring             | BNT4304  | Clutch Bar Guide               |
| BNT1652  | Screw                 | BNT3937  | Click Pin                | BNT4305  | Quick-Fire II Clutch Bar       |
| BNT1672  | E Lock                | BNT4113  | Handle Retainer          | BNT4307  | Brake Case                     |
| BNT1696  | Cast Control Spacer   | BNT4123  | Star Drag                | BNT4320  | Right Side Plate               |
| BNT1949  | Screw                 | BNT4124  | Star Drag Spring         | BNT4321  | Drive Gear                     |
| BNT2117  | Handle Nut            | BNT4125  | Star Drag Nut            | BNT4322  | Pinion Gear                    |
| BNT2122  | Click Pin             | BNT4131  | Anti-Reverse Ratchet     | BNT4323  | Spool Assembly                 |
| BNT2123  | Click Spring          | BNT4133  | Idle Gear                | BNT4343  | Ball Bearing                   |
| BNT2165  | Clutch Cam Retainer   | BNT4136  | Level Wind Protector     | BNT4361  | Stabilizer Bar                 |
| BNT2170  | Ball Bearing          | BNT4139  | Clutch Pawl              | BNT4587  | Washer                         |
| BNT2179  | Screw                 | BNT4140  | Clutch Plate             | BNT4588  | Washer                         |
| BNT2224  | Spool Tension Spacer  | BNT4147  | Damper Spring            | BNT4589  | Drag Washer                    |
| BNT2396  | Roller Clutch Bearing | BNT4148  | Left Side Plate          | BNT4590  | Drag Washer                    |
| BNT2717  | E Lock                | BNT4149  | Turnkey Dial             |          |                                |
| BNT2816  | Drive Shaft Retainer  | BNT4231  | Pawl Cap                 | BNT3505  | Brake Collar (red) (accessory) |