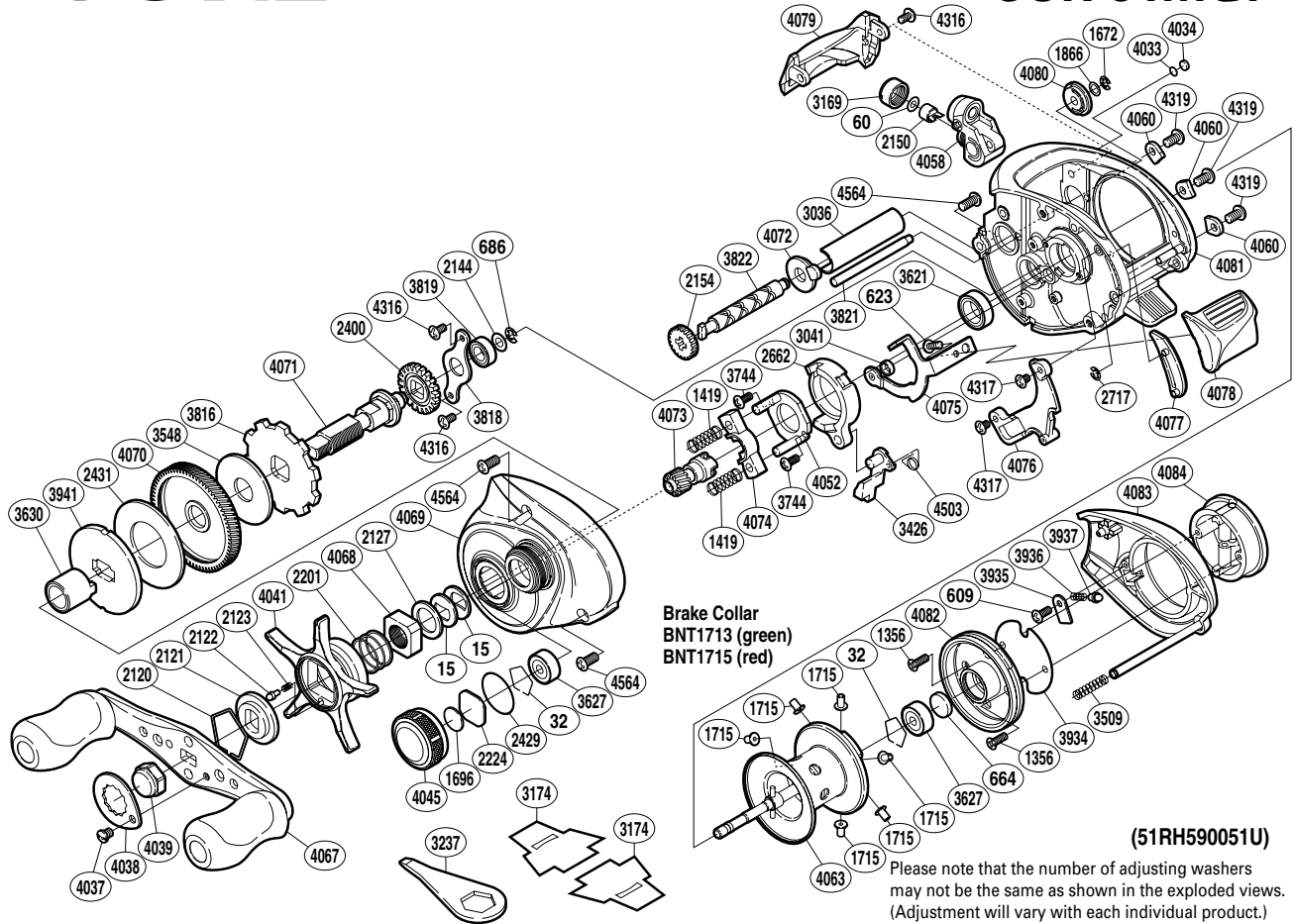


# SHIMANO

CORE S A-RB

## COR-51MG7



Part No.	Description	Part No.	Description	Part No.	Description
BNT0015	Drag Spring Washer	BNT3041	Clutch Plate Shaft Support	BNT4063	Spool Assembly
BNT0032	Bearing Retainer	BNT3169	Pawl Cap	BNT4067	Handle Assembly
BNT0060	Spacer	BNT3426	Clutch Pawl	BNT4068	Star Drag Nut
BNT0609	Screw	BNT3509	Side Plate Spring	BNT4069	Left Side Plate
BNT0623	Screw	BNT3548	Drag Washer	BNT4070	Drive Gear
BNT0664	Spacer B	BNT3621	Ball Bearing	BNT4071	Drive Shaft
BNT0686	E Lock	BNT3627	Ball Bearing	BNT4072	Worm Bushing A
BNT1356	Screw	BNT3630	Roller Clutch Inner Tube	BNT4073	Pinion Gear
BNT1419	Yoke Spring	BNT3744	Screw	BNT4074	Yoke
BNT1672	E Lock	BNT3816	Anti-Reverse Ratchet	BNT4075	Clutch Plate
BNT1696	Cast Control Spacer	BNT3818	Drive Shaft Retainer	BNT4076	Clutch Guard
BNT1715	Brake Collar (Red)	BNT3819	Ball Bearing	BNT4077	Clutch Bar Guide B
BNT1866	Spacer	BNT3821	Level Wind Guide	BNT4078	Quick-Fire II Clutch Bar
BNT2120	Click Plate Retainer	BNT3822	Worm Shaft	BNT4079	Level Wind Protector
BNT2121	Star Drag Click	BNT3934	Brake Case Spacer	BNT4080	Worm Bushing B
BNT2122	Click Pin	BNT3935	Brake Spring Retainer	BNT4081	One-Piece Frame
BNT2123	Click Spring	BNT3936	Click Spring	BNT4082	Brake Case
BNT2127	Star Drag Spacer	BNT3937	Click Pin	BNT4083	Right Side Plate
BNT2144	Washer	BNT3941	Key Washer	BNT4084	Turnkey Dial
BNT2150	Line Guide Pawl	BNT4033	Washer	BNT4316	Screw
BNT2154	Idle Gear	BNT4034	Anti-Thrust Washer	BNT4317	Screw
BNT2201	Star Drag Spring	BNT4037	Screw	BNT4319	Screw
BNT2224	Spool Tension Spacer	BNT4038	Handle Retainer	BNT4503	Clutch Pawl Spring
BNT2400	Idle Gear	BNT4039	Handle Nut	BNT4564	Screw
BNT2429	O Ring	BNT4041	Star Drag		
BNT2431	Drag Washer	BNT4045	Cast Control Cap		
BNT2622	Clutch Cam	BNT4052	Clutch Cam Retainer	BNT1713	Brake Collar (green) (accessory)
BNT2717	E Lock	BNT4058	Line Guide	BNT3174	Reel Seat Spacer (accessory)
BNT3036	Level Wind Guard	BNT4060	Side Frame Plate	BNT3237	Wrench (accessory)