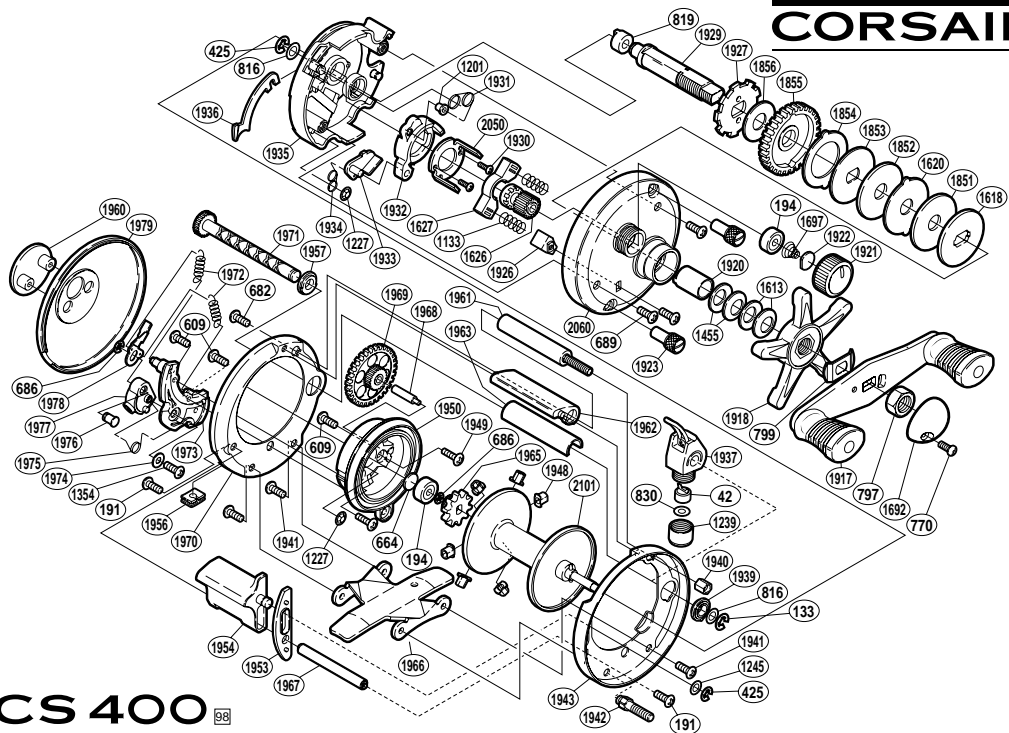


CORSAIR



BNT No.	PARTS NAMES	BNT No.	PARTS NAMES	BNT No.	PARTS NAMES
0042	Line Guide Pawl	1697	Spool Tension Spring	1948	Brake Collar
0133	"E" Lock	1851	Drag Washer (C)	1949	Left Side Plate Screw
0191	Clutch Bar Support Screw	1852	Drag Washer (B-2)	1950	Brake Case
0194	Ball Bearing	1853	Key Washer (A)	1953	Clutch Bar Guide
0425	"E" Lock	1854	Eared Washer (B-1)	1954	Quick-Fire II Clutch Bar
0609	Multi-Purpose Screw	1855	Drive Gear	1956	Drain
0664	Spacer B	1856	Drag Washer (A)	1957	Worm Bushing (B)
0682	Thumb Rest Screw	1917	Handle Assembly	1960	Left Side I.D. Plate
0686	"E" Lock	1918	Star Drag	1961	Frame Bar
0689	Right Side Plate Screw	1920	Roller Clutch Inner Tube	1962	Thumb Rest
0770	Handle Nut Plate Screw	1921	Cast Control Cap	1963	Level Wind Guard
0797	Handle Nut	1922	Cast Control Spacer	1965	Idle Gear (A)
0799	Friction Washer	1923	Right Side Plate Nut	1966	Stand
0816	Shaft Washer	1926	Return Pin Guide	1967	Clutch Bar Support
0819	Drive Shaft Bushing	1927	Anti-Reverse Ratchet	1968	Idle Gear (B) Shaft
0830	Spacer (optional)	1929	Drive Shaft	1969	Idle Gear (B)
1133	Yoke Spring	1930	Clutch Cam Screw	1970	Left Side Frame
1201	Retractor Spring Collar	1931	Retractor Spring	1971	Worm Shaft
1227	Push Nut (SPN-2)	1932	Clutch Cam	1972	Click Spring
1239	Pawl Cap	1933	Clutch Pawl	1973	Click Plate
1245	Clutch Bar Support Spacer	1934	Clutch Pawl Spring	1974	Click Switch Washer
1354	Click Switch Screw	1935	Set Plate	1975	Click Switch Spring
1455	Drag Spring Washer (H)	1936	Clutch Plate	1976	Click Shaft
1613	Drag Spring Washer (L)	1937	Line Guide Assembly	1977	Click Switch
1618	Key Washer (C)	1939	Worm Bushing (A)	1978	Click Pawl
1620	Eared Washer	1940	Frame Nut	1979	Left Side Plate
1626	Pinion Gear	1941	Stand Screw	2050	Clutch Cam Retainer
1627	Yoke	1942	Stand Bolt	2060	Right Side Plate Assembly
1692	Handle Nut Plate	1943	Right Side Frame	2101	Spool Assembly

CS 400 98

(100819)