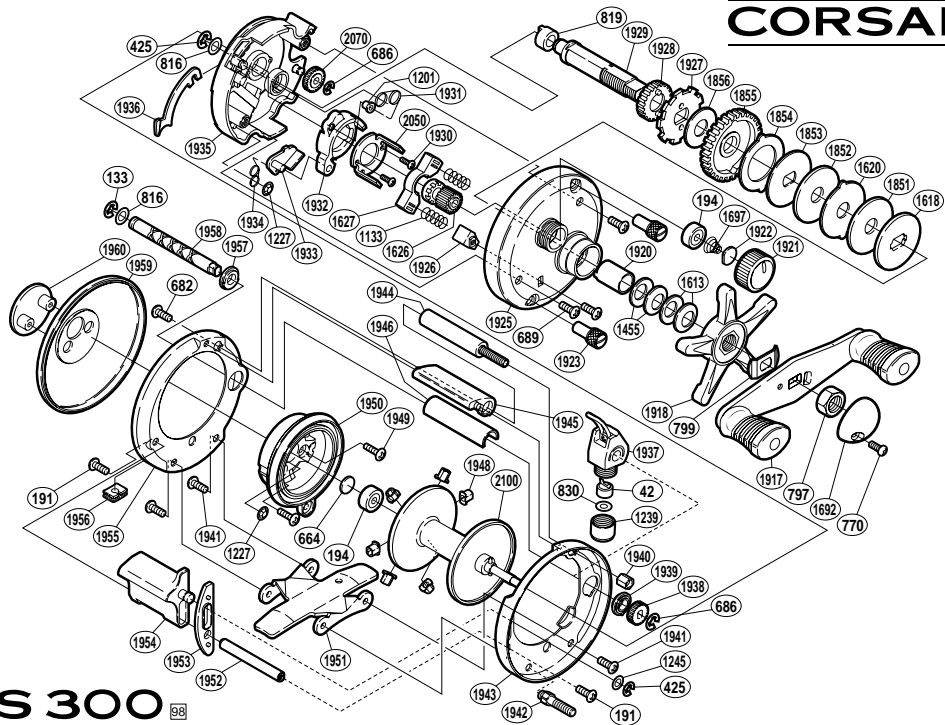


CORSAIR



BNT No.	PARTS NAMES	BNT No.	PARTS NAMES	BNT No.	PARTS NAMES
0042	Line Guide Pawl	1692	Handle Nut Plate	1937	Line Guide Assembly
0133	"E" Lock	1697	Spool Tension Spring	1938	Idle Gear (C)
0191	Clutch Bar Support Screw	1851	Drag Washer (C)	1939	Worm Bushing (A)
0194	Ball Bearing	1852	Drag Washer (B-2)	1940	Frame Nut
0425	"E" Lock	1853	Key Washer (A)	1941	Stand Screw
0664	Spacer B	1854	Eared Washer (B-1)	1942	Stand Bolt
0682	Thumb Rest Screw	1855	Drive Gear	1943	Right Side Frame
0686	"E" Lock	1856	Drag Washer (A)	1944	Frame Bar
0689	Right Side Plate Screw	1917	Handle Assembly	1945	Thumb Rest
0770	Handle Nut Plate Screw	1918	Star Drag	1946	Level Wind Guard
0797	Handle Nut	1920	Roller Clutch Inner Tube	1948	Brake Collar
0799	Friction Washer	1921	Cast Control Cap	1949	Left Side Plate Screw
0816	Shaft Washer	1922	Cast Control Spacer	1950	Brake Case
0819	Drive Shaft Bushing	1923	Right Side Plate Nut	1951	Stand
0830	Spacer (optional)	1925	Right Side Plate Assembly	1952	Clutch Bar Support
1133	Yoke Spring	1926	Return Pin Guide	1953	Clutch Bar Guide
1201	Retractor Spring Collar	1927	Anti-Reverse Ratchet	1954	Quick-Fire II Clutch Bar
1227	Push Nut (SPN-2)	1928	Idle Gear (A)	1955	Left Side Frame
1239	Pawl Cap	1929	Drive Shaft	1956	Drain
1245	Clutch Bar Support Spacer	1930	Clutch Cam Screw	1957	Worm Bushing (B)
1455	Drag Spring Washer (H)	1931	Retractor Spring	1958	Worm Shaft
1613	Drag Spring Washer (L)	1932	Clutch Cam	1959	Left Side Plate
1618	Key Washer (C)	1933	Clutch Pawl	1960	Left Side I.D. Plate
1620	Eared Washer	1934	Clutch Pawl Spring	2050	Clutch Cam Retainer
1626	Pinion Gear	1935	Set Plate	2070	Idle Gear (B)
1627	Yoke	1936	Clutch Plate	2100	Spool Assembly