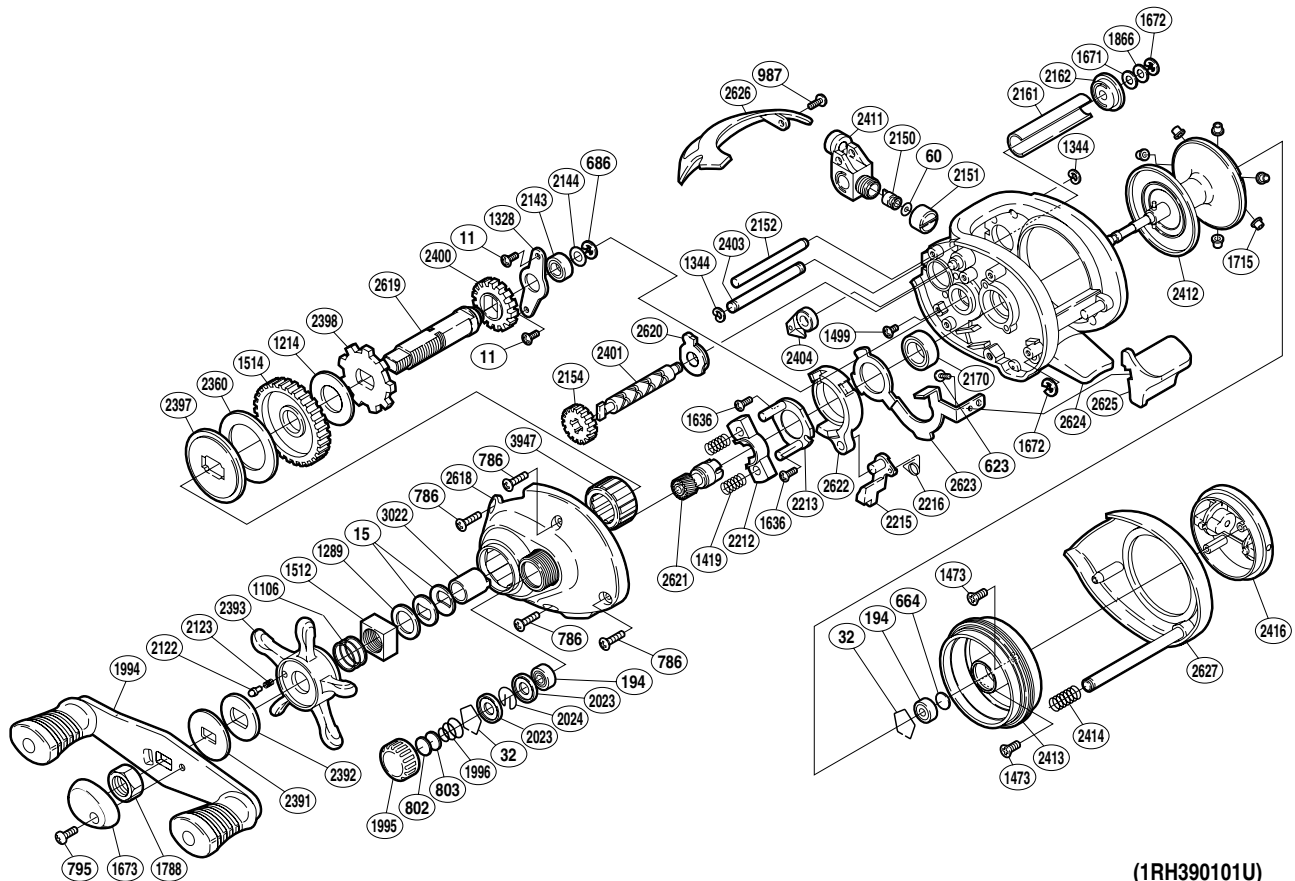


SHIMANO

Bantam CURADO

CU-101B



(1RH390101U)

Part No.	Description	Part No.	Description	Part No.	Description
BNT0011	Drive Shaft Retainer Screw	BNT1673	Handle Nut Plate	BNT2392	Star Drag Click Plate
BNT0015	Drag Spring Washer	BNT1715	Brake Collar (red)	BNT2393	Star Drag
BNT0032	Bearing Retainer	BNT1788	Handle Nut	BNT2397	Key Washer
BNT0060	Spacer (optional)	BNT1866	Spacer	BNT2398	Anti-Reverse Ratchet
BNT0194	Ball Bearing	BNT1994	Handle Assembly	BNT2400	Idle Gear (A)
BNT0623	Clutch Bar Screw	BNT1995	Cast Control Cap	BNT2401	Worm Shaft
BNT0664	Spacer (B)	BNT1996	Spool Tension Spring	BNT2403	Line Guard
BNT0686	"E" Lock	BNT2023	Spool Shaft Clip Holder	BNT2404	Anti-Reverse Pawl
BNT0786	Left Side Plate Screw	BNT2024	Spool Shaft Clip	BNT2411	Line Guide
BNT0795	Handle Nut Plate Screw	BNT2122	Click Pin	BNT2412	Spool Assembly
BNT0802	Spool Tension Spacer (B)	BNT2123	Click Spring	BNT2413	Brake Case
BNT0803	Spool Tension Spacer (A)	BNT2143	Ball Bearing	BNT2414	Right Side Plate Spring
BNT0987	Thumb Rest Screw	BNT2144	Drive Shaft Washer	BNT2416	Turnkey Dial
BNT1106	Star Drag Spring	BNT2150	Line Guide Pawl	BNT2618	Left Side Plate
BNT1214	Drag Washer (A)	BNT2151	Pawl Cap	BNT2619	Drive Shaft
BNT1289	Star Drag Spacer	BNT2152	Level Wind Guide	BNT2620	Worm Bushing (A)
BNT1328	Drive Shaft Retainer	BNT2154	Idle Gear (C)	BNT2621	Pinion Gear
BNT1344	"C" Lock	BNT2161	Level Wind Guard	BNT2622	Clutch Cam
BNT1419	Yoke Spring	BNT2162	Worm Bushing (B)	BNT2623	Clutch Plate
BNT1473	Brake Case Screw	BNT2170	Ball Bearing	BNT2624	One-Piece Frame
BNT1499	Clutch Plate Screw	BNT2212	Yoke	BNT2625	Quick-Fire II Clutch Bar
BNT1512	Star Drag Nut	BNT2213	Clutch Cam Retainer	BNT2626	Thumb Rest
BNT1514	Drive Gear	BNT2215	Clutch Pawl	BNT2627	Right Side Plate
BNT1636	Clutch Cam Screw	BNT2216	Clutch Pawl Spring	BNT3022	Roller Clutch Inner Tube
BNT1671	Worm Shaft Washer (B)	BNT2360	Drag Washer (C)	BNT3947	Roller Clutch Bearing
BNT1672	"E" Lock	BNT2391	Friction Washer		

(210703)