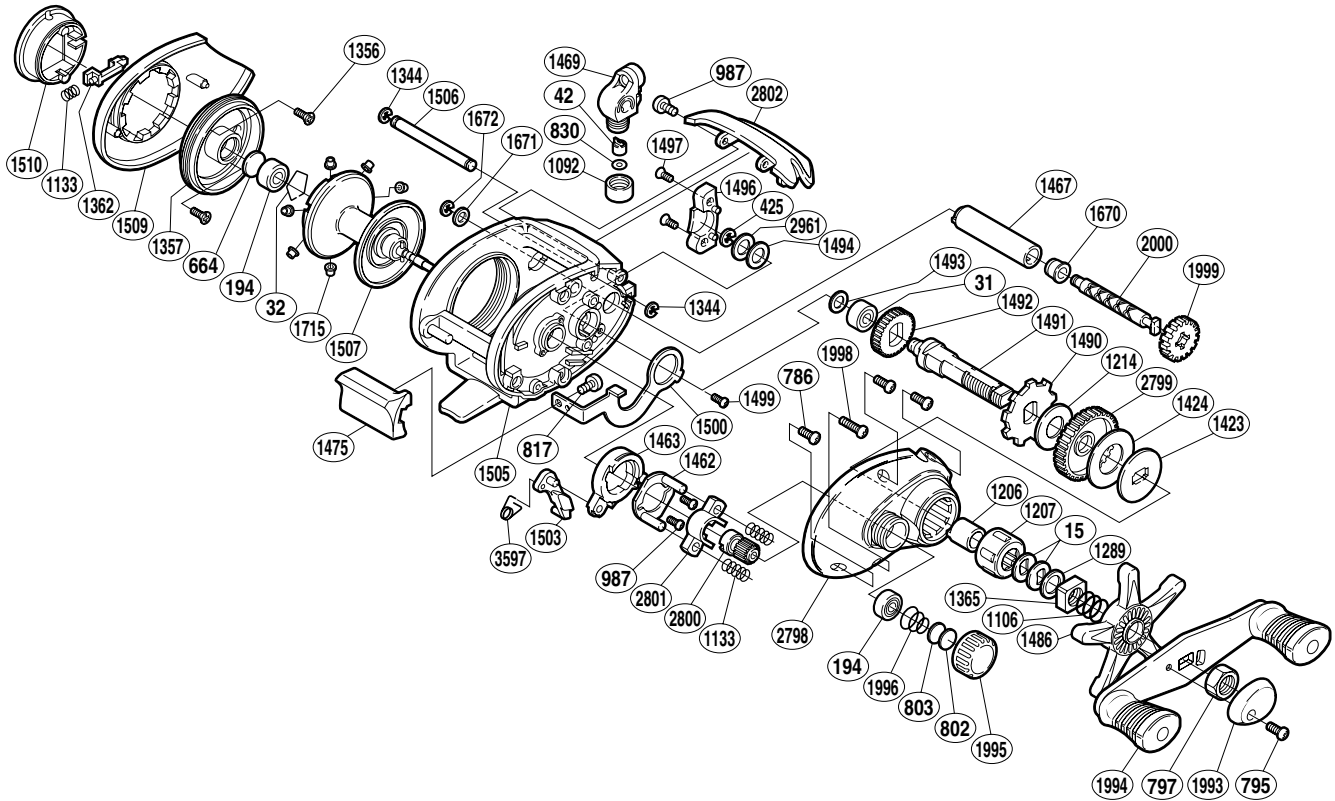


SHIMANO®

Bantam CURADO

CU-200B38



Part No.	Description	Part No.	Description	Part No.	Description
BNT0015	Drag Spring Washer	BNT1356	Brake Case Retainer Screw	BNT1506	Line Guard
BNT0031	Ball Bearing	BNT1357	Brake Case	BNT1507	Spool Assembly
BNT0032	Bearing Retainer	BNT1362	Turnkey Pawl	BNT1509	Left Side Plate
BNT0042	Line Guide Pawl	BNT1365	Star Drag Nut	BNT1510	Turnkey Dial
BNT0194	Ball Bearing	BNT1423	Key Washer	BNT1670	Worm Bushing
BNT0425	"E" Lock	BNT1424	Drag Washer (C)	BNT1671	Worm Shaft Washer (B)
BNT0664	Spacer (B)	BNT1462	Clutch Cam Retainer	BNT1672	"E" Lock
BNT0786	Side Plate Screw (short)	BNT1463	Clutch Cam	BNT1715	Brake Collar (red)
BNT0795	Handle Nut Plate Screw	BNT1467	Level Wind Guard	BNT1993	Handle Nut Plate Assembly
BNT0797	Handle Nut	BNT1469	Line Guide	BNT1994	Handle Assembly
BNT0802	Spool Tension Spacer (B)	BNT1475	Quick-Fire II Clutch Bar	BNT1995	Cast Control Cap
BNT0803	Spool Tension Spacer (A)	BNT1486	Star Drag	BNT1996	Spool Tension Spring
BNT0817	Clutch Bar Screw	BNT1490	Anti-Reverse Ratchet	BNT1998	Side Plate Screw (long)
BNT0830	Spacer (optional)	BNT1491	Drive Shaft	BNT1999	Idle Gear (C)
BNT0987	Multi-Purpose Screw	BNT1492	Idle Gear (A)	BNT2000	Worm Shaft
BNT1092	Pawl Cap	BNT1493	Drive Gear Washer	BNT2798	Right Side Plate
BNT1106	Star Drag Spring	BNT1494	Drive Shaft Washer (B)	BNT2799	Drive Gear
BNT1133	Yoke / Turnkey Pawl Spring	BNT1496	Drive Shaft Cover	BNT2800	Pinion Gear (A)
BNT1206	Roller Clutch Inner Tube	BNT1497	Drive Shaft Cover Screw	BNT2801	Yoke
BNT1207	Roller Clutch Bearing	BNT1499	Clutch Plate Screw	BNT2802	Thumb Rest
BNT1214	Drag Washer (A)	BNT1500	Clutch Plate	BNT2961	Drive Shaft Washer
BNT1289	Star Drag Spacer	BNT1503	Clutch Pawl	BNT3597	Clutch Pawl Spring
BNT1344	"C" Lock	BNT1505	One-Piece Frame		