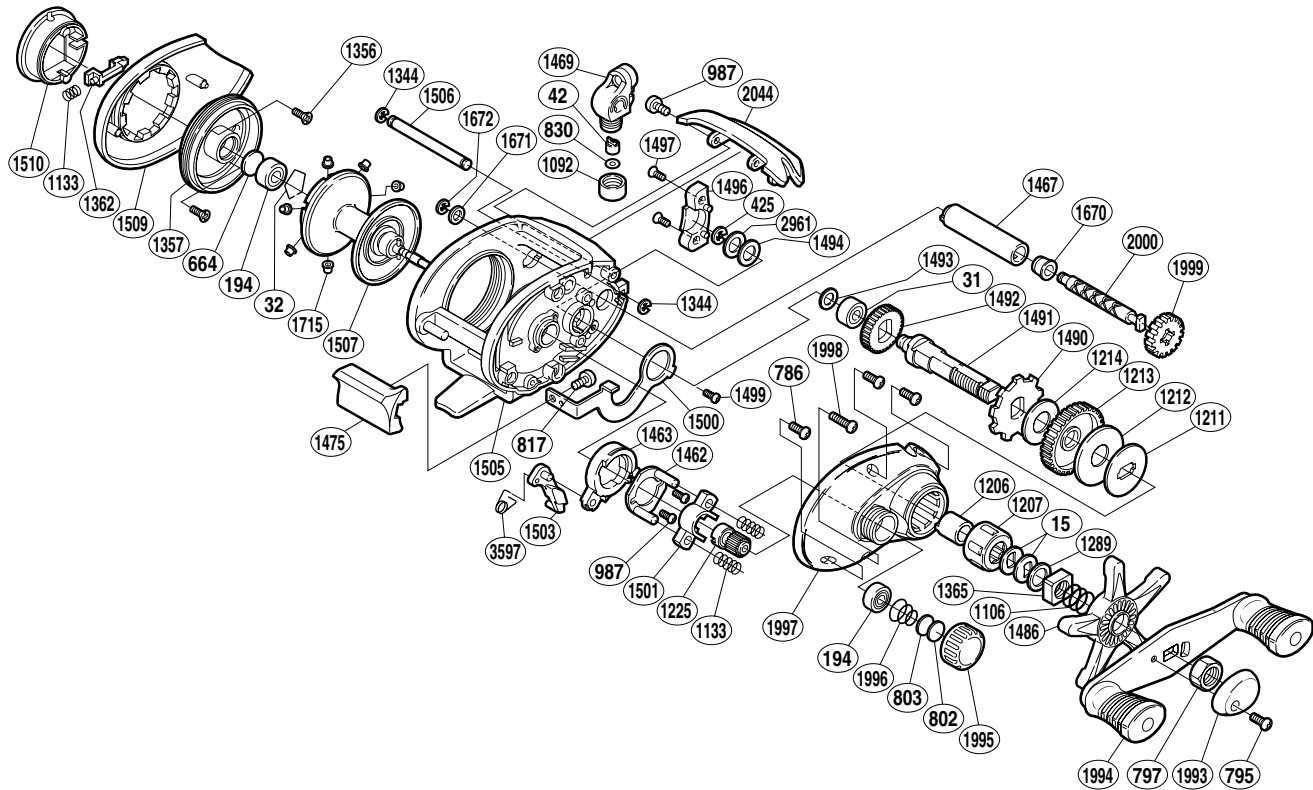


SHIMANO®

CURADO

CU-200B5



Part No.	Description	Part No.	Description	Part No.	Description
BNT0015	Drag Spring Washer	BNT1214	Drag Washer (A)	BNT1501	Yoke
BNT0031	Ball Bearing	BNT1225	Pinion Gear	BNT1503	Clutch Pawl
BNT0032	Bearing Retainer	BNT1289	Star Drag Spacer	BNT1505	One-Piece Frame
BNT0042	Line Guide Pawl	BNT1344	"C" Lock	BNT1506	Line Guard
BNT0194	Ball Bearing	BNT1356	Brake Case Retainer Screw	BNT1507	Spool Assembly
BNT0425	"E" Lock	BNT1357	Brake Case	BNT1509	Left Side Plate
BNT0664	Spacer (B)	BNT1362	Turnkey Pawl	BNT1510	Turnkey Dial
BNT0786	Side Plate Screw (short)	BNT1365	Star Drag Nut	BNT1670	Worm Bushing
BNT0795	Handle Nut Plate Screw	BNT1462	Clutch Cam Retainer	BNT1671	Worm Shaft Washer (B)
BNT0797	Handle Nut	BNT1463	Clutch Cam	BNT1672	"E" Lock
BNT0802	Spool Tension Spacer (B)	BNT1467	Level Wind Guard	BNT1715	Brake Collar (red)
BNT0803	Spool Tension Spacer (A)	BNT1469	Line Guide	BNT1993	Handle Nut Plate Assembly
BNT0817	Clutch Bar Screw	BNT1475	Quick-Fire II Clutch Bar	BNT1994	Handle Assembly
BNT0830	Spacer (optional)	BNT1486	Star Drag	BNT1995	Cast Control Cap
BNT0987	Multi Purpose Screw	BNT1490	Anti-Reverse Ratchet	BNT1996	Spool Tension Spring
BNT1092	Pawl Cap	BNT1491	Drive Shaft	BNT1997	Right Side Plate
BNT1106	Star Drag Spring	BNT1492	Idle Gear (A)	BNT1998	Side Plate Screw (long)
BNT1133	Yoke / Turnkey Pawl Spring	BNT1493	Drive Gear Washer	BNT1999	Idle Gear (C)
BNT1206	Roller Clutch Inner Tube	BNT1494	Drive Shaft Washer (B)	BNT2000	Worm Shaft
BNT1207	Roller Clutch Bearing	BNT1496	Drive Shaft Cover	BNT2044	Thumb Rest
BNT1211	Key Washer	BNT1497	Drive Shaft Cover Screw	BNT2961	Drive Shaft Washer
BNT1212	Drag Washer (C)	BNT1499	Clutch Plate Screw	BNT3597	Clutch Pawl Spring
BNT1213	Drive Gear	BNT1500	Clutch Plate		