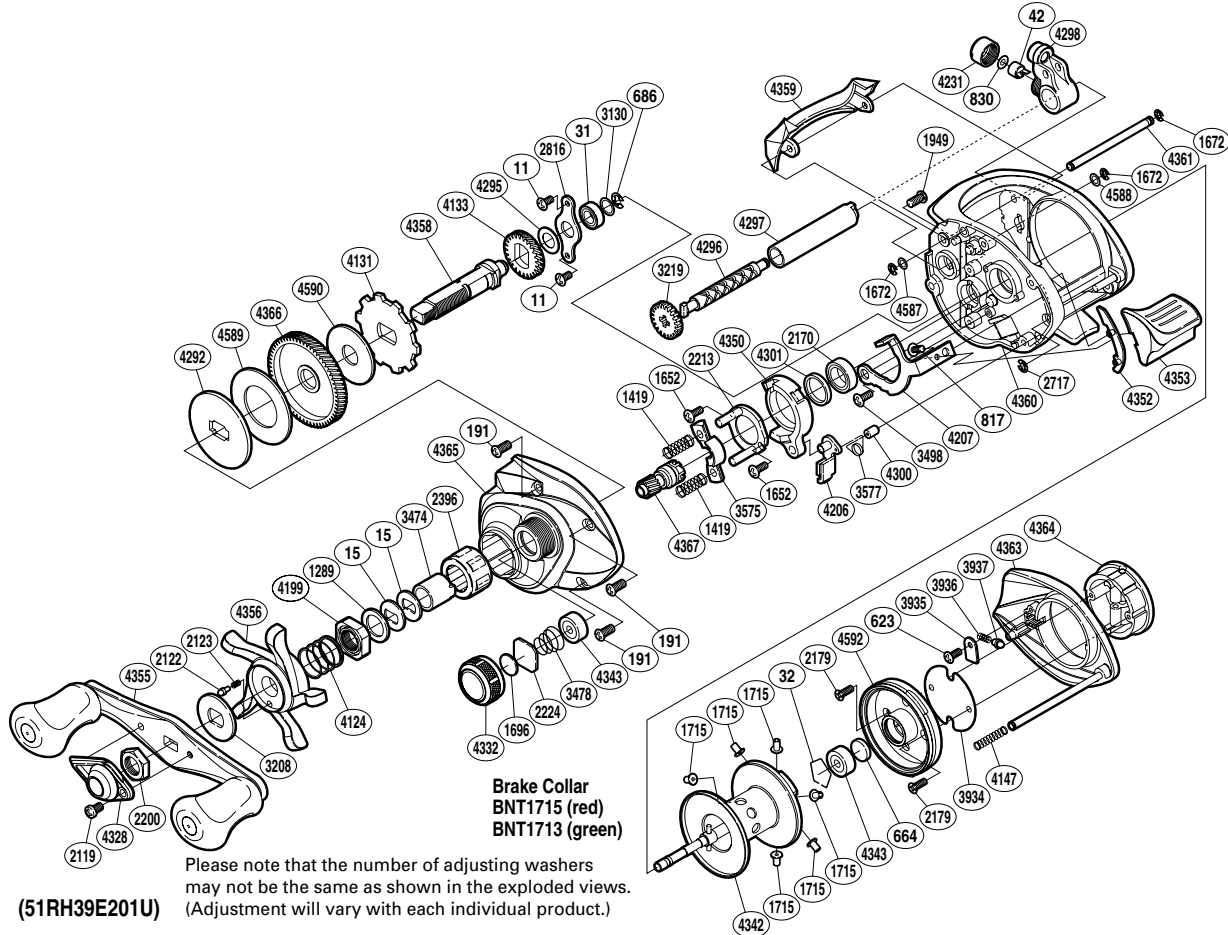


# SHIMANO

## CURADO

## CU-201G7



Part No.	Description	Part No.	Description	Part No.	Description
BNT0011	Screw	BNT2717	E Lock	BNT4300	Retractor Spring Collar
BNT0015	Drag Spring Washer	BNT2816	Drive Shaft Retainer	BNT4301	Bearing Bushing
BNT0031	Ball Bearing	BNT3130	Washer	BNT4328	Handle Retainer
BNT0032	Bearing Retainer	BNT3208	Star Drag Click Plate	BNT4332	Cast Control Cap
BNT0042	Line Guide Pawl	BNT3219	Idle Gear	BNT4342	Spool Assembly
BNT0191	Screw	BNT3474	Roller Clutch Inner Tube	BNT4343	Ball Bearing
BNT0623	Screw	BNT3478	Spool Tension Spring	BNT4350	Clutch Cam
BNT0664	Spacer B	BNT3498	Screw	BNT4352	Clutch Bar Guide
BNT0686	E Lock	BNT3575	Yoke	BNT4353	Quick-Fire II Clutch Bar
BNT0817	Screw	BNT3577	Clutch Pawl Spring	BNT4355	Handle Assembly
BNT0830	Spacer	BNT3934	Brake Case Spacer	BNT4356	Star Drag
BNT1289	Star Drag Spacer	BNT3935	Brake Spring Retainer	BNT4358	Drive Shaft
BNT1419	Yoke Spring	BNT3936	Click Spring	BNT4359	Level Wind Protector
BNT1652	Screw	BNT3937	Click Pin	BNT4360	One-Piece Frame
BNT1672	E Lock	BNT4124	Star Drag Spring	BNT4361	Stabilizer Bar
BNT1696	Cast Control Spacer	BNT4131	Anti-Reverse Ratchet	BNT4363	Right Side Plate
BNT1715	Brake Collar (red)	BNT4133	Idle Gear	BNT4364	Turnkey Dial
BNT1949	Screw	BNT4147	Damper Spring	BNT4365	Left Side Plate
BNT2119	Screw	BNT4199	Star Drag Nut	BNT4366	Drive Gear
BNT2122	Click Pin	BNT4206	Clutch Pawl	BNT4367	Pinion Gear
BNT2123	Click Spring	BNT4207	Clutch Plate	BNT4587	Washer
BNT2170	Ball Bearing	BNT4231	Pawl Cap	BNT4588	Washer
BNT2179	Screw	BNT4292	Key Washer	BNT4589	Drag Washer
BNT2200	Handle Nut	BNT4295	Washer	BNT4590	Drag Washer
BNT2213	Clutch Cam Retainer	BNT4296	Worm Shaft	BNT4592	Brake Case
BNT2224	Spool Tension Spacer	BNT4297	Level Wind Guard		
BNT2396	Roller Clutch Bearing	BNT4298	Line Guide	BNT1713	Brake Collar (green) (accessory)