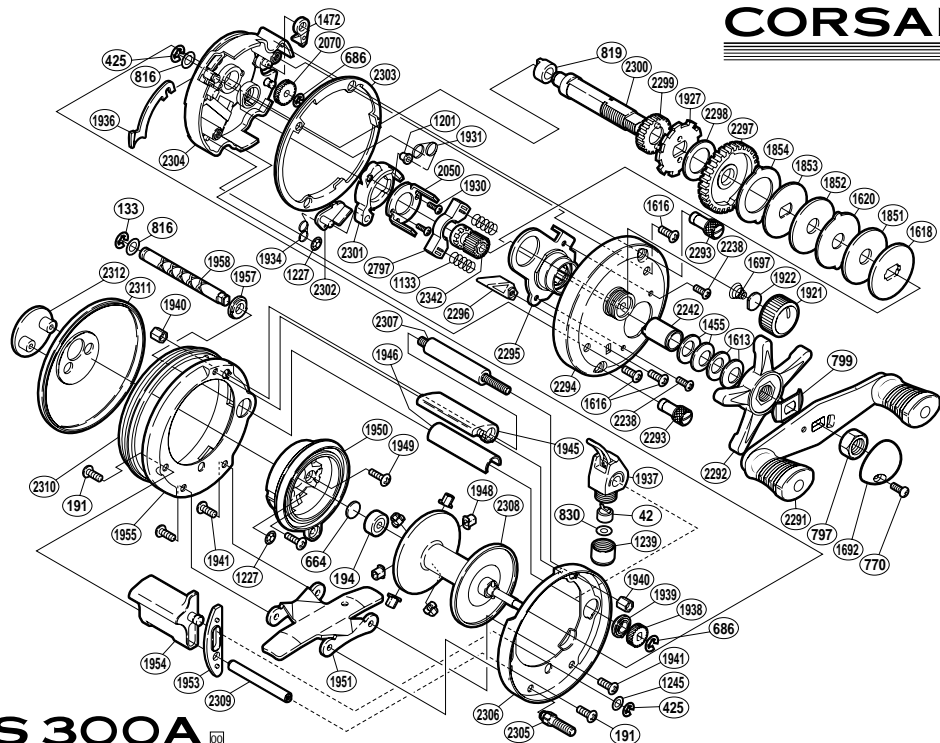


CORSAIR



| BNT No. | PARTS NAMES | BNT No. | PARTS NAMES | BNT No. | PARTS NAMES |
|---------|---------------------------|---------|--------------------------|---------|--------------------------|
| 0042 | Line Guide Pawl | 1852 | Drag Washer (B-2) | 2070 | Idle Gear (B) |
| 0133 | "E" Lock | 1853 | Key Washer (A) | 2238 | Bush Plate Screw |
| 0191 | Clutch Bar Support Screw | 1854 | Eared Washer (B-1) | 2242 | Roller Clutch Inner Tube |
| 0194 | Ball Bearing | 1921 | Cast Control Cap | 2291 | Handle Assembly |
| 0425 | "E" Lock | 1922 | Cast Control Spacer | 2292 | Star Drag |
| 0664 | Spacer B | 1927 | Anti-Reverse Ratchet | 2293 | Right Side Plate Nut |
| 0686 | "E" Lock | 1930 | Clutch Cam Screw | 2294 | Right Side Plate |
| 0770 | Handle Nut Plate Screw | 1931 | Retractor Spring | 2295 | Roller Clutch Assembly |
| 0797 | Handle Nut | 1934 | Clutch Pawl Spring | 2296 | Return Pin Guide |
| 0799 | Friction Washer | 1936 | Clutch Plate | 2297 | Drive Gear |
| 0816 | Shaft Washer | 1937 | Line Guide Assembly | 2298 | Drive Shaft Washer (B) |
| 0819 | Drive Shaft Bushing | 1938 | Idle Gear (C) | 2299 | Idle Gear (A) |
| 0830 | Spacer (optional) | 1939 | Worm Bushing (A) | 2300 | Drive Shaft |
| 1133 | Yoke Spring | 1940 | Frame Nut | 2301 | Clutch Cam |
| 1201 | Retractor Spring Collar | 1941 | Stand Screw | 2302 | Clutch Pawl |
| 1227 | Push Nut (SPN-2) | 1945 | Thumb Rest | 2303 | A-Side Seal |
| 1239 | Pawl Cap | 1946 | Level Wind Guard | 2304 | Set Plate |
| 1245 | Clutch Bar Support Spacer | 1948 | Brake Collar | 2305 | Stand Bolt |
| 1455 | Drag Spring Washer (H) | 1949 | Left Side Plate Screw | 2306 | Right Side Frame |
| 1472 | Anti-Reverse Pawl | 1950 | Brake Case | 2307 | Frame Bar |
| 1613 | Drag Spring Washer (L) | 1951 | Stand | 2308 | Spool Assembly |
| 1616 | Right Side Plate Screw | 1953 | Clutch Bar Guide | 2309 | Clutch Bar Support |
| 1618 | Key Washer (C) | 1954 | Quick-Fire II Clutch Bar | 2310 | B-Side Seal |
| 1620 | Eared Washer | 1955 | Left Side Frame | 2311 | Left Side Plate |
| 1692 | Handle Nut Plate | 1957 | Worm Bushing (B) | 2312 | Left Side I.D. Plate |
| 1697 | Spool Tension Spring | 1958 | Worm Shaft | 2342 | Pinion Gear |
| 1851 | Drag Washer (C) | 2050 | Clutch Cam Retainer | 2797 | Yoke |