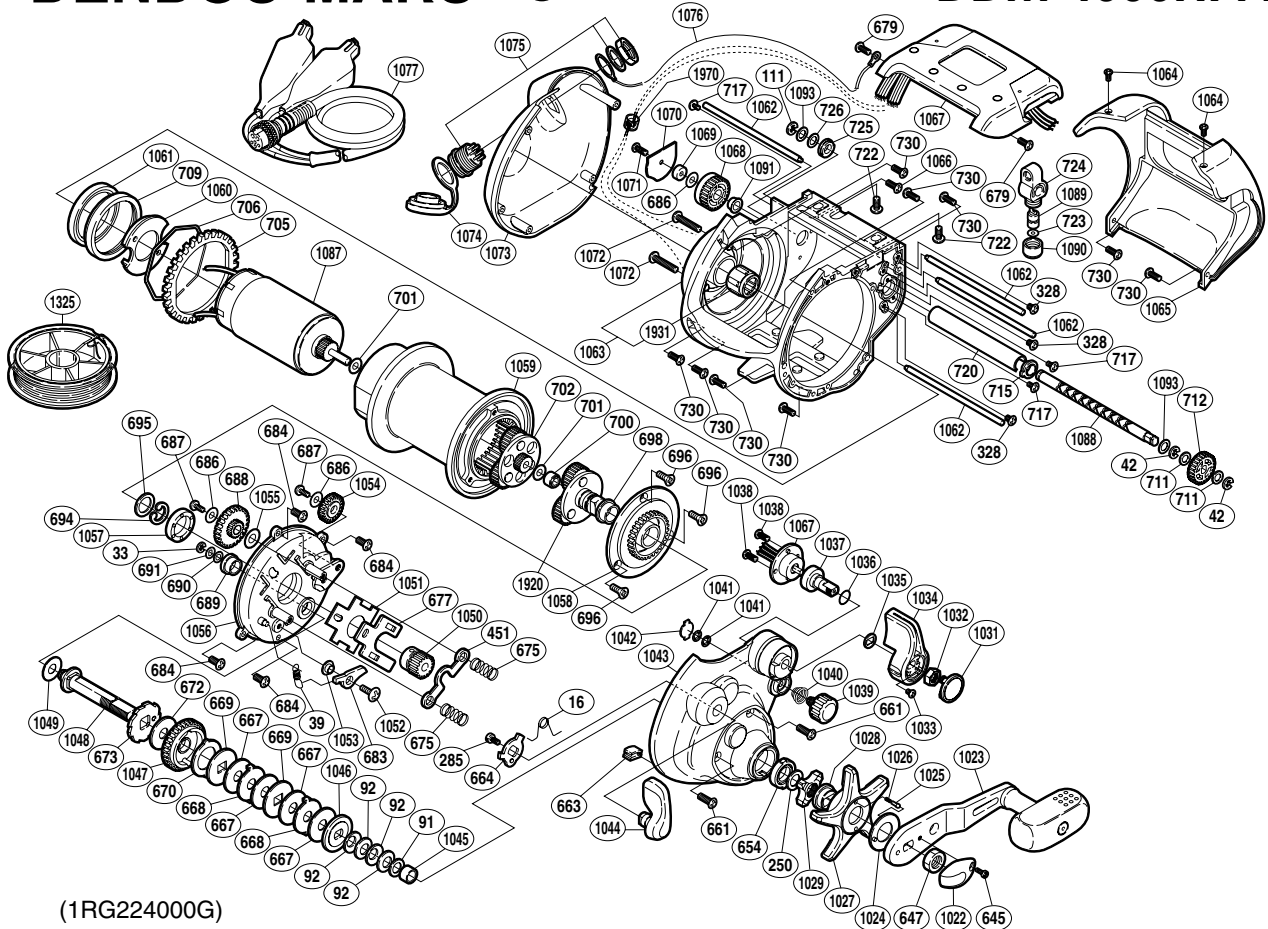


SHIMANO

DENDOU-MARU

DDM-4000HPA



(1RG224000G)

Part No.	Description	Part No.	Description	Part No.	Description
TGT0016	Clutch Spring	TGT0705	Counter Gear A	TGT1050	Pinion Gear
TGT0033	E Lock	TGT0706	Gear Retainer	TGT1051	Clutch Plate Washer
TGT0039	Anti-Reverse Pawl Spring	TGT0709	Bearing Rim	TGT1052	Screw
TGT0042	E Lock	TGT0711	Washer	TGT1053	Anti-Reverse Pawl Cover
TGT0091	Washer	TGT0712	Worm Gear	TGT1054	Worm Idle Gear A
TGT0092	Coned Disc Spring	TGT0715	Worm Bushing	TGT1055	Washer
TGT0111	E Lock	TGT0717	Screw	TGT1056	Set Plate
TGT0250	Star Drag Washer	TGT0720	Level Wind Guard	TGT1057	Ball Bearing
TGT0285	Screw	TGT0722	Screw	TGT1058	Spool Plate
TGT0328	Screw	TGT0723	Washer	TGT1059	Spool
TGT0451	Yoke	TGT0724	Line Guide	TGT1060	Motor Holder
TGT0645	Screw	TGT0725	Worm Bushing	TGT1061	Ball Bearing
TGT0647	Handle Nut	TGT0726	Washer	TGT1062	Stabilizer Bar A
TGT0654	Drive Shaft Bushing	TGT0730	Screw	TGT1063	One-Piece Frame
TGT0661	Screw	TGT1022	Handle Nut Plate	TGT1064	Screw
TGT0663	Line Clip	TGT1023	Handle Assembly	TGT1065	Level Wind Protector
TGT0664	Clutch Cam	TGT1024	Click Ring	TGT1066	Screw
TGT0667	Drag Washer	TGT1025	Click Pin	TGT1067	Counter Unit
TGT0668	Eared Washer	TGT1026	Click Spring	TGT1068	Counter Gear B
TGT0669	Key Washer	TGT1027	Star Drag	TGT1069	Counter Gear Bushing B
TGT0670	Eared Washer	TGT1028	Handle Washer	TGT1070	Cord Cover
TGT0672	Drag Washer	TGT1029	Star Drag Nut	TGT1071	Screw
TGT0673	Anti-Reverse Ratchet	TGT1031	Lever Switch Sticker	TGT1072	Screw
TGT0675	Yoke Spring	TGT1032	Lever Switch Nut	TGT1073	Left Side Plate
TGT0677	Clutch Plate	TGT1033	Screw	TGT1074	Socket Cap
TGT0679	Screw	TGT1034	Lever Switch	TGT1075	Socket Set
TGT0683	Anti-Reverse Pawl	TGT1035	Key Washer	TGT1076	Earth Line
TGT0684	Screw	TGT1036	O Ring	TGT1087	Motor
TGT0686	Washer	TGT1037	Lever Insert Shaft	TGT1088	Worm Shaft
TGT0687	Screw	TGT1038	Screw	TGT1089	Line Guide Pawl
TGT0688	Worm Idle Gear B	TGT1039	Cast Control Cap	TGT1090	Pawl Cap
TGT0689	Drive Shaft Bushing	TGT1040	Spool Tension Spring	TGT1091	Counter Gear Bushing
TGT0690	Washer	TGT1041	CS Lock	TGT1093	Washer
TGT0691	Washer	TGT1042	Cast Control Spacer	TGT1920	Reduction Gear Plate B
TGT0694	C Lock	TGT1043	Right Side Plate	TGT1931	Roller Clutch Bearing
TGT0695	Washer	TGT1044	Clutch Lever	TGT1970	Reactor
TGT0696	Screw	TGT1045	Drive Shaft Sleeve		
TGT0698	Plate Bushing (large)	TGT1046	Pressure Plate		
TGT0700	Plate Bushing (small)	TGT1047	Drive Gear		
TGT0701	Washer	TGT1048	Drive Shaft	TGT1077	Cable (accessory)
TGT0702	Reduction Gear Plate A	TGT1049	Washer	TGT1325	Bobbin with Line (accessory)