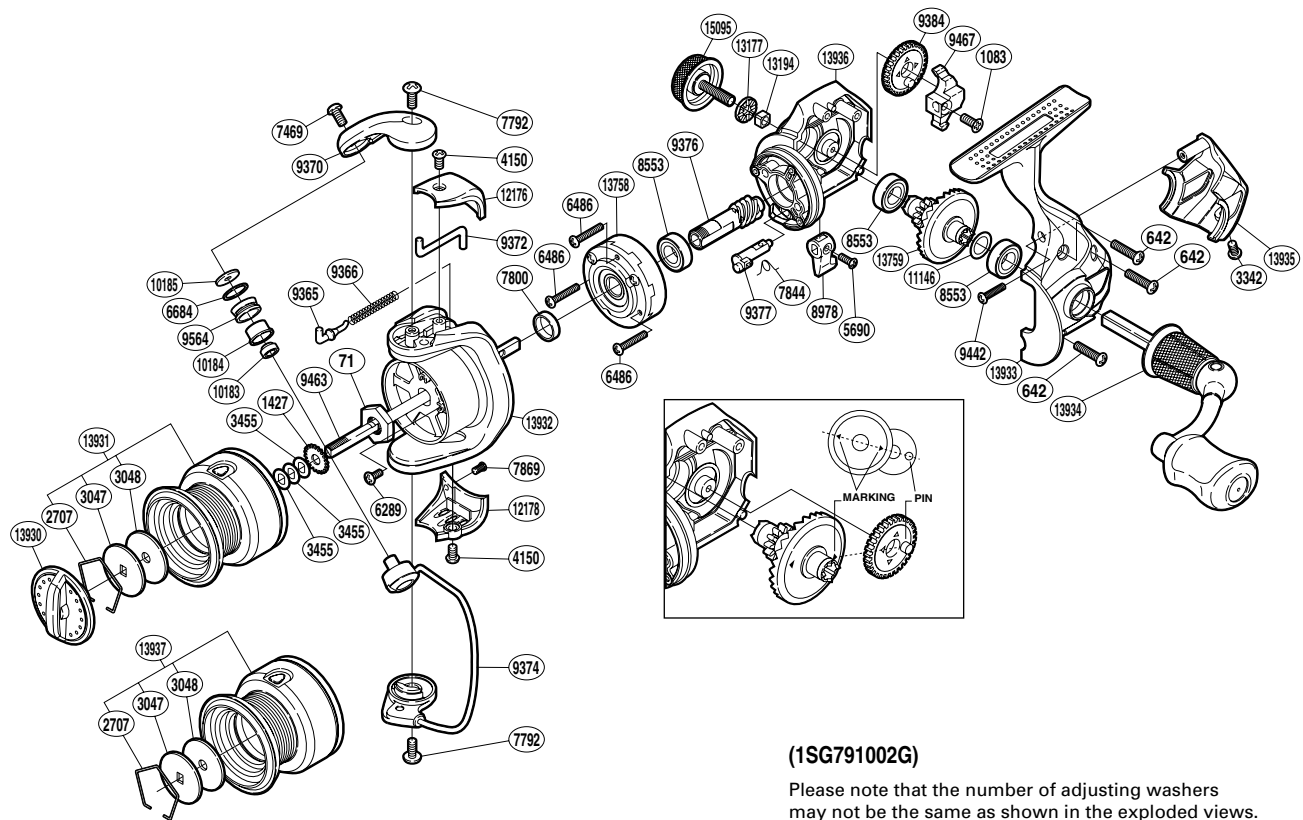


SHIMANO

EXAGE

EXG-1000FC



(1SG791002G)

Please note that the number of adjusting washers may not be the same as shown in the exploded views. (Adjustment will vary with each individual product.)

Part No.	Description	Part No.	Description	Part No.	Description
RD 0071	Rotor Nut	RD 7869	Screw	RD11146	Washer
RD 0642	Screw	RD 8553	Ball Bearing	RD12176	Bail Spring Cover
RD 1083	Screw	RD 8978	Anti-Reverse Lever	RD12178	Bail Hold Support Guard
RD 1427	Spool Support	RD 9365	Bail Spring Guide	RD13177	Handle Screw Cap Spacer
RD 2707	Drag Washers Retainer	RD 9366	Bail Spring	RD13194	Handle Screw Lock
RD 3047	Key Washer	RD 9370	Bail Arm	RD13758	Roller Clutch Assembly
RD 3048	Drag Washer	RD 9372	Bail Trip Lever	RD13759	Drive Gear
RD 3342	Screw	RD 9374	Bail Assembly	RD13930	Drag Knob
RD 3455	Spool Washer	RD 9376	Pinion Gear	RD13931	Spool Assembly
RD 4150	Screw	RD 9377	Anti-Reverse Cam	RD13932	Rotor
RD 5690	Screw	RD 9384	Oscillating Gear	RD13933	Side Cover
RD 6289	Screw	RD 9442	Screw	RD13934	Handle Assembly
RD 6486	Screw	RD 9463	Main Shaft	RD13935	Rear Protector
RD 6684	Line Roller Spacer	RD 9467	Oscillating Slider	RD13936	Body
RD 7469	Screw	RD 9564	Line Roller	RD15095	Handle Screw Cap
RD 7792	Screw	RD10183	Ball Bearing		
RD 7800	Rotor Ring	RD10184	Line Roller Bushing		
RD 7844	Anti-Reverse Cam Spring	RD10185	Line Roller Washer	RD13937	Spare Spool Assembly