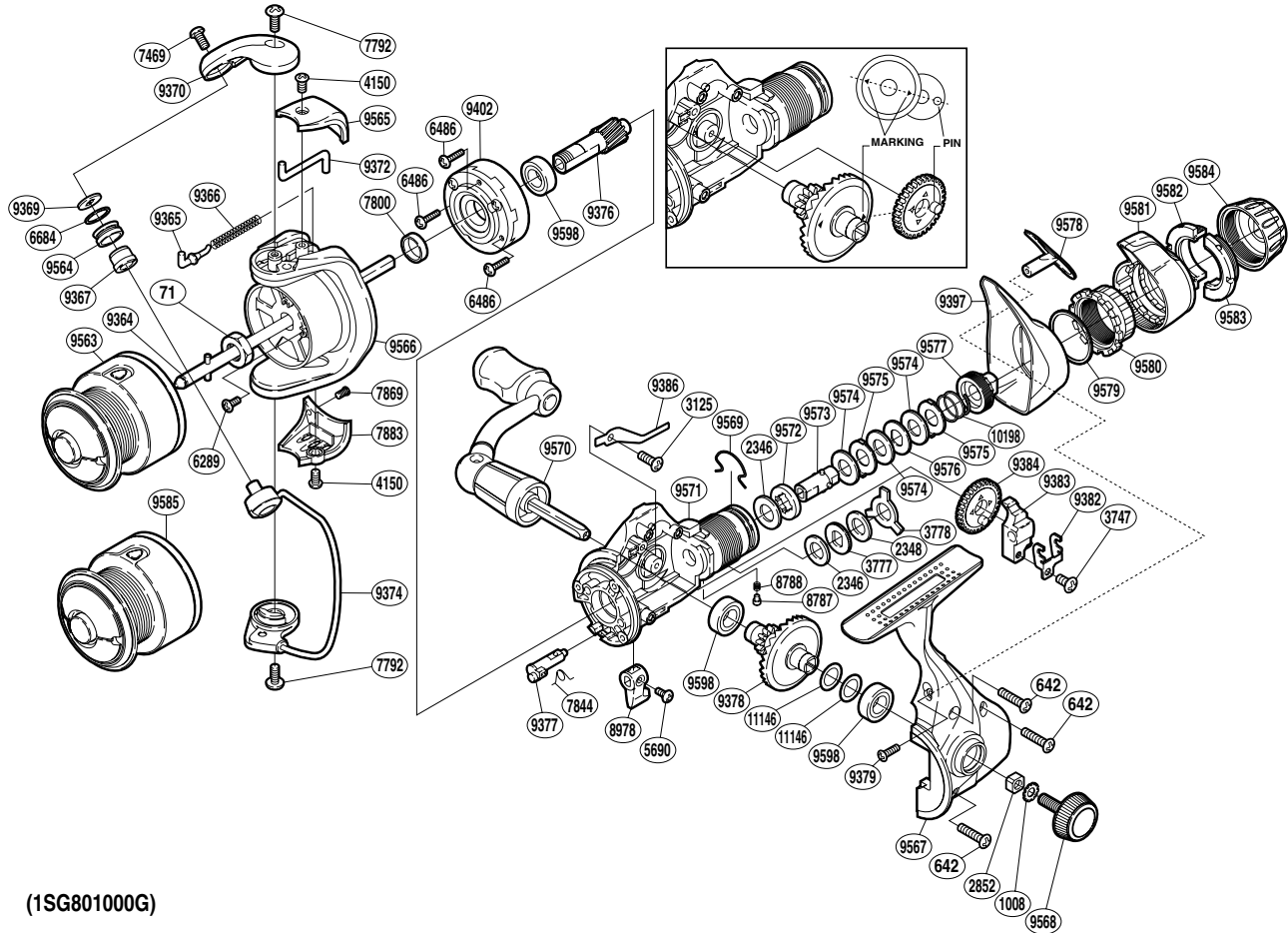


SHIMANO

EXAGE A-RB

EXG-1000RA



(1SG801000G)

Part No.	Description	Part No.	Description	Part No.	Description
RD 0071	Rotor Nut	RD 8978	Anti-Reverse Lever	RD 9567	Side Cover
RD 0642	Screw	RD 9364	Main Shaft	RD 9568	Handle Screw Cap
RD 1008	Handle Lock Washer	RD 9365	Bail Spring Guide	RD 9569	Hold Click Spring
RD 2346	Drag Washer C (cloth)	RD 9366	Bail Spring	RD 9570	Handle Assembly
RD 2348	Drag Washer C (blue)	RD 9367	Line Roller Bushing	RD 9571	Body
RD 2852	Handle Screw Lock	RD 9369	Line Roller Washer	RD 9572	Drag Shaft B
RD 3125	Screw	RD 9370	Bail Arm	RD 9573	Drag Shaft A
RD 3747	Screw	RD 9372	Bail Trip Lever	RD 9574	Drag Washer H
RD 3777	Click Gear	RD 9374	Bail Assembly	RD 9575	Eared Washer
RD 3778	Eared Washer BF	RD 9376	Pinion Gear	RD 9576	Key Washer
RD 4150	Screw	RD 9377	Anti-Reverse Cam	RD 9577	Pressure Screw
RD 5690	Screw	RD 9378	Drive Gear	RD 9578	Rear Protector A
RD 6289	Screw	RD 9379	Screw	RD 9579	Fightin' Pressure Screw Washer
RD 6486	Screw	RD 9382	Oscillating Slider Retainer	RD 9580	Fightin' Pressure Screw
RD 6684	Line Roller Spacer	RD 9383	Oscillating Slider	RD 9581	Fightin' Lever
RD 7469	Screw	RD 9384	Oscillating Gear	RD 9582	Drag Programmer B1
RD 7792	Screw	RD 9386	Drag Click	RD 9583	Drag Programmer B2
RD 7800	Rotor Ring	RD 9397	Rear Protector B	RD 9584	Drag Programmer A
RD 7844	Anti-Reverse Cam Spring	RD 9402	Roller Clutch Assembly	RD 9598	Ball Bearing
RD 7869	Screw	RD 9563	Spool Assembly	RD10198	Drag Coil Spring
RD 7883	Bail Hold Support Guard	RD 9564	Line Roller	RD11146	Washer
RD 8787	Click Pin	RD 9565	Bail Spring Cover		
RD 8788	Click Spring	RD 9566	Rotor	RD 9585	Spare Spool Assembly