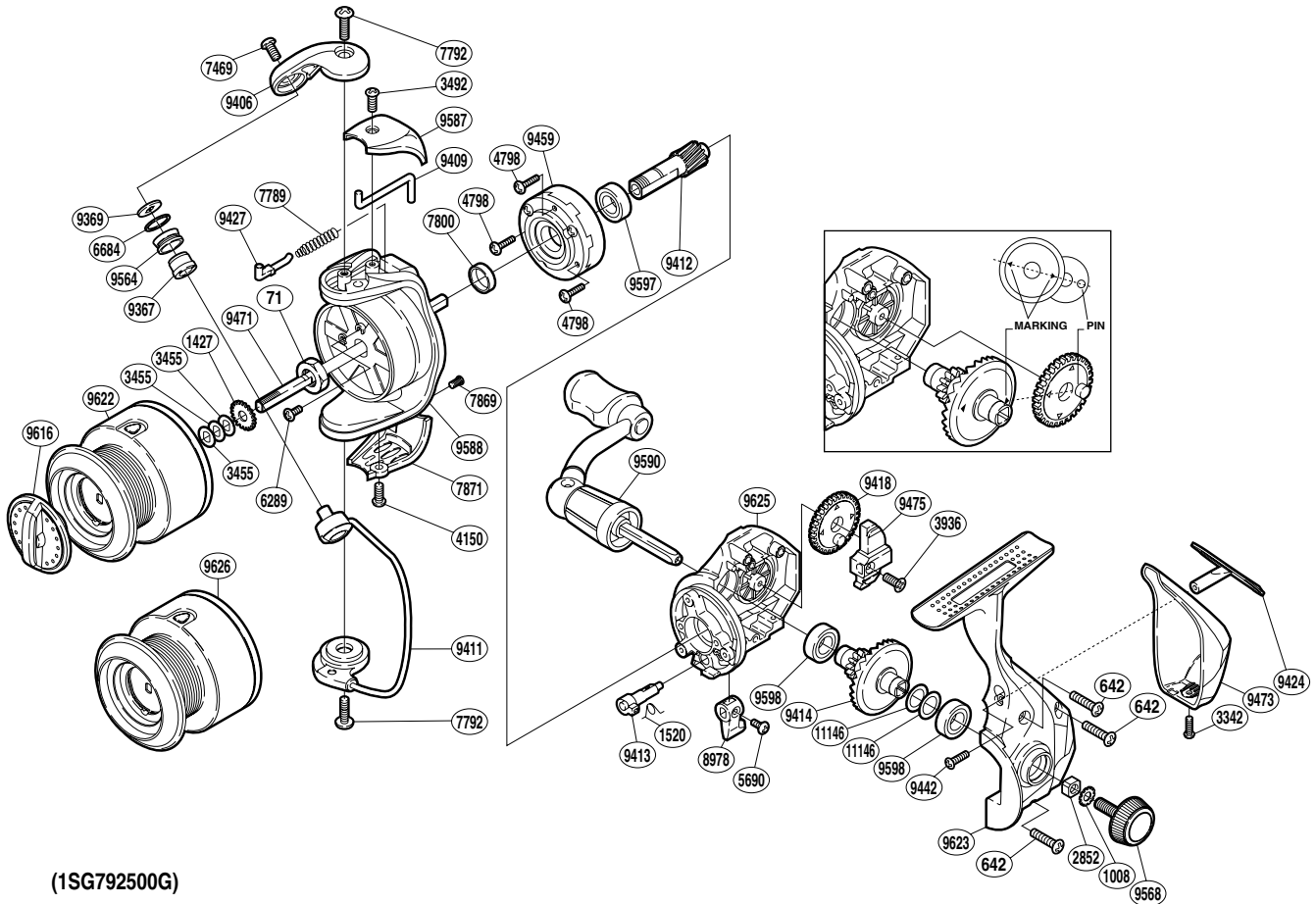


SHIMANO

EXAGE A-RB

EXG-2500FA



(1SG792500G)

Part No.	Description	Part No.	Description	Part No.	Description
RD 0071	Rotor Nut	RD 7800	Rotor Ring	RD 9475	Oscillating Slider
RD 0642	Screw	RD 7869	Screw	RD 9564	Line Roller
RD 1008	Handle Lock Washer	RD 7871	Bail Hold Support Guard	RD 9568	Handle Screw Cap
RD 1427	Spool Support	RD 8978	Anti-Reverse Lever	RD 9587	Bail Spring Cover
RD 1520	Anti-Reverse Cam Spring	RD 9367	Line Roller Bushing	RD 9588	Rotor
RD 2852	Handle Screw Lock	RD 9369	Line Roller Washer	RD 9590	Handle Assembly
RD 3342	Screw	RD 9406	Bail Arm	RD 9597	Ball Bearing
RD 3455	Spool Washer	RD 9409	Bail Trip Lever	RD 9598	Ball Bearing
RD 3492	Screw	RD 9411	Bail Assembly	RD 9616	Drag Knob
RD 3936	Screw	RD 9412	Pinion Gear	RD 9622	Spool Assembly
RD 4150	Screw	RD 9413	Anti-Reverse Cam	RD 9623	Side Cover
RD 4798	Screw	RD 9414	Drive Gear	RD 9624	Rear Protector A
RD 5690	Screw	RD 9418	Oscillating Gear	RD 9625	Body
RD 6289	Screw	RD 9427	Bail Spring Guide	RD11146	Washer
RD 6684	Line Roller Spacer	RD 9442	Screw		
RD 7469	Screw	RD 9459	Roller Clutch Assembly		
RD 7789	Bail Spring	RD 9471	Main Shaft		
RD 7792	Screw	RD 9473	Rear Protector B	RD 9626	Spare Spool Assembly