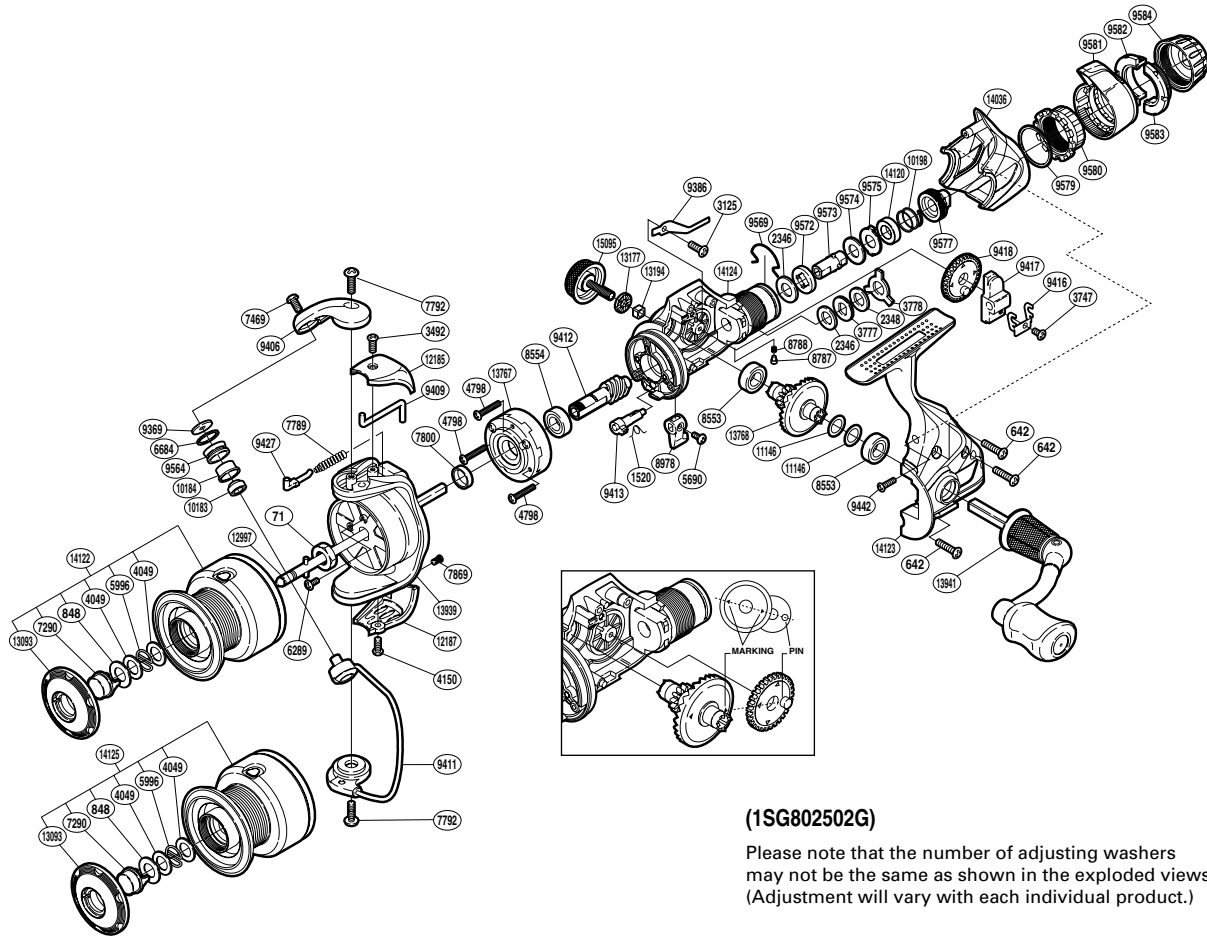


SHIMANO

EXAGE

EXG-2500RC



(1SG802502G)

Please note that the number of adjusting washers may not be the same as shown in the exploded views. (Adjustment will vary with each individual product.)

Part No.	Description	Part No.	Description	Part No.	Description
RD 0071	Rotor Nut	RD 8787	Click Pin	RD 9583	Drag Programmer B2
RD 0642	Screw	RD 8788	Click Spring	RD 9584	Drag Programmer A
RD 0848	Washer	RD 8978	Anti-Reverse Lever	RD10183	Ball Bearing
RD 1520	Anti-Reverse Cam Spring	RD 9369	Line Roller Washer	RD10184	Line Roller Bushing
RD 2346	Drag Washer	RD 9386	Drag Click	RD10198	Drag Coil Spring
RD 2348	Drag Washer	RD 9406	Bail Arm	RD11146	Washer
RD 3125	Screw	RD 9409	Bail Trip Lever	RD12185	Bail Spring Cover
RD 3492	Screw	RD 9411	Bail Assembly	RD12187	Bail Hold Support Guard
RD 3747	Screw	RD 9412	Pinion Gear	RD12997	Main Shaft
RD 3777	Click Gear	RD 9413	Anti-Reverse Cam	RD13093	Push Button Collar
RD 3778	Eared Washer	RD 9416	Oscillating Slider Retainer	RD13177	Handle Screw Cap Spacer
RD 4049	Washer	RD 9417	Oscillating Slider	RD13194	Handle Screw Lock
RD 4150	Screw	RD 9418	Oscillating Gear	RD13767	Roller Clutch Assembly
RD 4798	Screw	RD 9427	Bail Spring Guide	RD13768	Drive Gear
RD 5690	Screw	RD 9442	Screw	RD13939	Rotor
RD 5996	Locking Spring	RD 9564	Line Roller	RD13941	Handle Assembly
RD 6289	Screw	RD 9569	Hold Click Spring	RD14036	Rear Protector
RD 6684	Line Roller Spacer	RD 9572	Drag Shaft B	RD14120	Drag Collar
RD 7290	Push Button	RD 9573	Drag Shaft A	RD14122	Spool Assembly
RD 7469	Screw	RD 9574	Drag Washer	RD14123	Side Cover
RD 7789	Bail Spring	RD 9575	Eared Washer	RD14124	Body
RD 7792	Screw	RD 9577	Pressure Screw	RD15095	Handle Screw Cap
RD 7800	Rotor Ring	RD 9579	Fightin' Pressure Screw Washer		
RD 7869	Screw	RD 9580	Fightin' Pressure Screw		
RD 8553	Ball Bearing	RD 9581	Fightin' Lever		
RD 8554	Ball Bearing	RD 9582	Drag Programmer B1	RD14125	Spare Spool Assembly