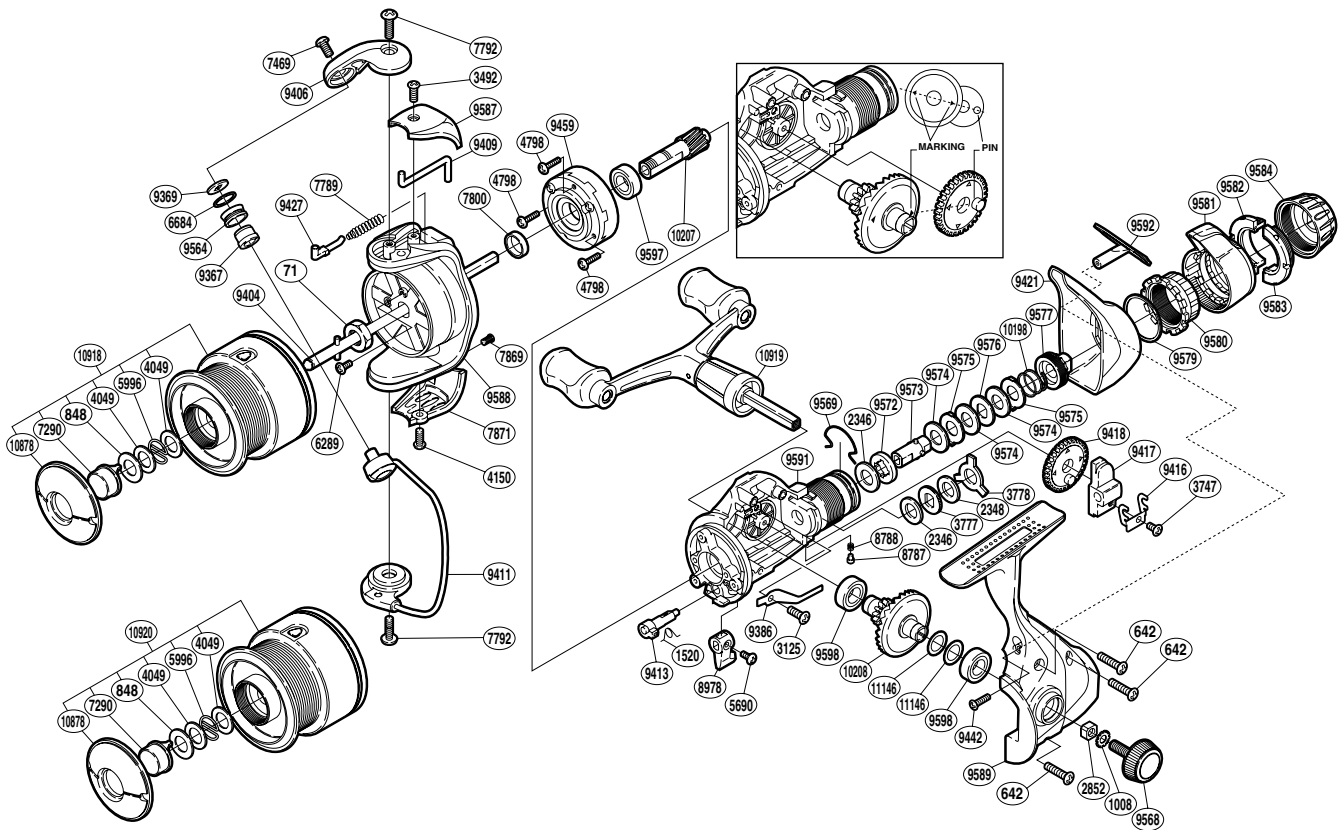


SHIMANO

EXAGE 

EXG-3000MHSRA



(1SG803100G)

Part No.	Description	Part No.	Description	Part No.	Description
RD 0071	Rotor Nut	RD 7871	Bail Hold Support Guard	RD 9576	Key Washer
RD 0642	Screw	RD 7878	Click Pin	RD 9577	Pressure Screw
RD 0848	Washer	RD 7888	Click Spring	RD 9579	Fightin' Pressure Screw Washer
RD 1008	Lock Washer	RD 8978	Anti-Reverse Lever	RD 9580	Fightin' Pressure Screw
RD 1520	Anti-Reverse Cam Spring	RD 9367	Line Roller Bushing	RD 9581	Fightin' Lever
RD 2346	Drag Washer	RD 9369	Line Roller Washer	RD 9582	Drag Programmer B1
RD 2348	Drag Washer	RD 9386	Drag Click	RD 9583	Drag Programmer B2
RD 2852	Handle Screw Lock	RD 9404	Main Shaft	RD 9584	Drag Programmer A
RD 3125	Screw	RD 9406	Bail Arm	RD 9587	Bail Spring Cover
RD 3492	Screw	RD 9409	Bail Trip Lever	RD 9588	Rotor
RD 3747	Screw	RD 9411	Bail Assembly	RD 9589	Side Cover
RD 3777	Click Gear	RD 9413	Anti-Reverse Cam	RD 9591	Body
RD 3778	Eared Washer	RD 9416	Oscillating Slider Retainer	RD 9592	Rear Protector A
RD 4049	Washer	RD 9417	Oscillating Slider	RD 9597	Ball Bearing
RD 4150	Screw	RD 9418	Oscillating Gear	RD 9598	Ball Bearing
RD 4798	Screw	RD 9421	Rear Protector B	RD10198	Drag Coil Spring
RD 5690	Screw	RD 9427	Bail Spring Guide	RD10207	Pinion Gear
RD 5996	Locking Spring	RD 9442	Screw	RD10208	Drive Gear
RD 6289	Screw	RD 9459	Roller Clutch Assembly	RD10878	Push Button Collar
RD 6684	Line Roller Spacer	RD 9564	Line Roller	RD10918	Spool Assembly
RD 7290	Push Button	RD 9568	Handle Screw Cap	RD10919	Double Paddle Handle Assembly
RD 7469	Screw	RD 9569	Hold Click Spring	RD11146	Washer
RD 7789	Bail Spring	RD 9572	Drag Shaft B		
RD 7792	Screw	RD 9573	Drag Shaft A		
RD 7800	Rotor Ring	RD 9574	Drag Washer		
RD 7869	Screw	RD 9575	Eared Washer	RD10920	Spare Spool Assembly