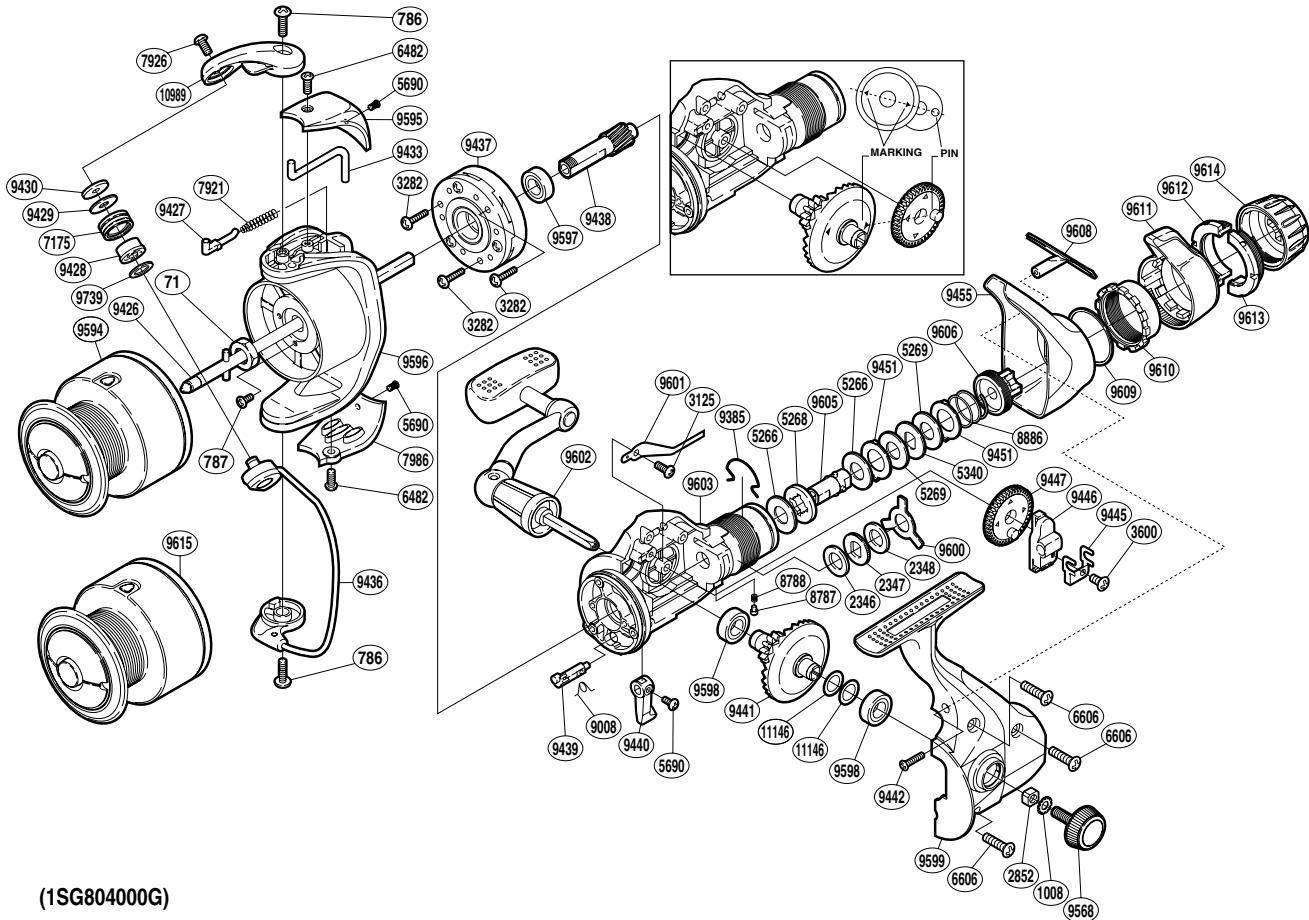


SHIMANO

EXAGE A-RB

EXG-4000RA



(1SG804000G)

Part No.	Description	Part No.	Description	Part No.	Description
RD 0071	Rotor Nut	RD 8886	Drag Coil Spring	RD 9596	Rotor
RD 0786	Screw	RD 9008	Anti-Reverse Cam Spring	RD 9597	Ball Bearing
RD 0787	Screw	RD 9385	Hold Click Spring	RD 9598	Ball Bearing
RD 1008	Handle Lock Washer	RD 9426	Main Shaft	RD 9599	Side Cover
RD 2346	Drag Washer C (cloth)	RD 9427	Bail Spring Guide	RD 9600	Eared Washer BF
RD 2347	Click Gear	RD 9428	Line Roller Bushing	RD 9601	Drag Click
RD 2348	Drag Washer C (blue)	RD 9429	Line Roller Spacer	RD 9602	Handle Assembly
RD 2852	Handle Screw Lock	RD 9430	Line Roller Washer	RD 9603	Body
RD 3125	Screw	RD 9433	Bail Trip Lever	RD 9605	Drag Shaft A
RD 3282	Screw	RD 9436	Bail Assembly	RD 9606	Pressure Screw
RD 3600	Slider Retainer Screw	RD 9437	Roller Clutch Assembly	RD 9608	Rear Protector A
RD 5266	Drag Washer H (cloth)	RD 9438	Pinion Gear	RD 9609	Fightin' Pressure Screw Washer
RD 5268	Drag Shaft B	RD 9439	Anti-Reverse Cam	RD 9610	Fightin' Pressure Screw
RD 5269	Drag Washer H (blue)	RD 9440	Anti-Reverse Lever	RD 9611	Fightin' Lever
RD 5340	Key Washer A	RD 9441	Drive Gear	RD 9612	Drag Programmer B1
RD 5690	Screw	RD 9442	Screw	RD 9613	Drag Programmer B2
RD 6482	Screw	RD 9445	Oscillating Slider Retainer	RD 9614	Drag Programmer A
RD 6606	Screw	RD 9446	Oscillating Slider	RD 9739	Bearing Spacer
RD 7175	Line Roller	RD 9447	Oscillating Gear	RD10989	Bail Arm
RD 7921	Bail Spring	RD 9451	Eared Washer	RD11146	Washer
RD 7926	Screw	RD 9455	Rear Protector B		
RD 7986	Bail Hold Support Guard	RD 9568	Handle Screw Cap		
RD 8787	Click Pin	RD 9594	Spool Assembly		
RD 8788	Click Spring	RD 9595	Bail Spring Cover	RD 9615	Spare Spool Assembly

(181117)