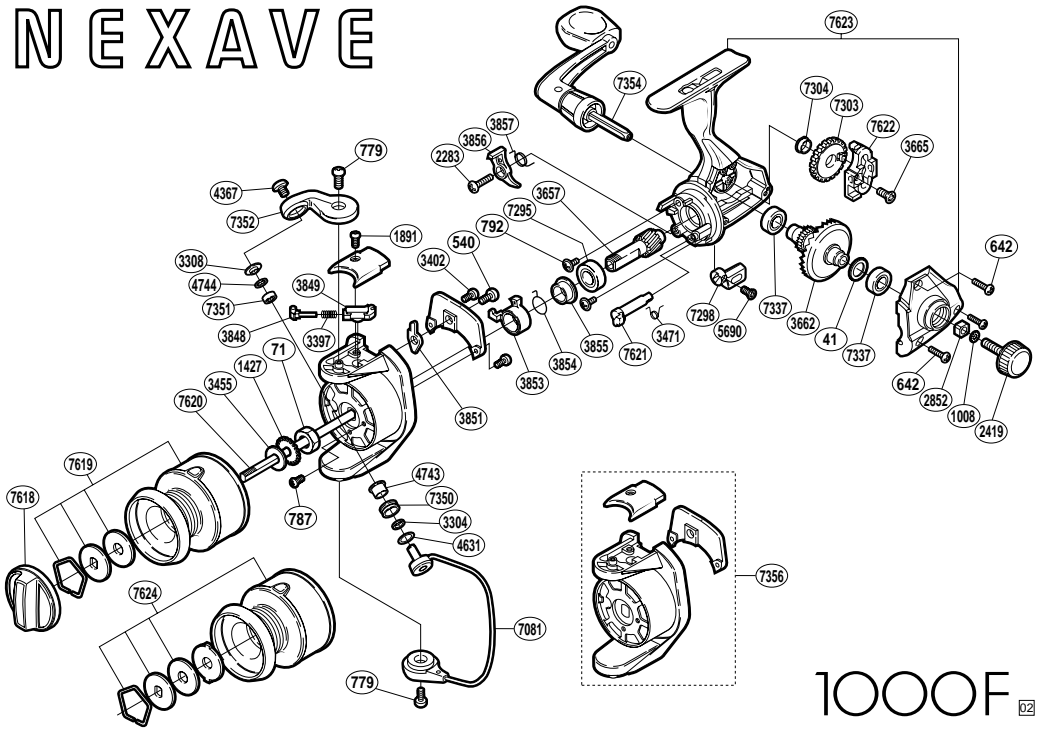


NEXAVE



1000F 02

'02 NEX 1000F

| RD No. | PARTS NAMES | RD No. | PARTS NAMES | RD No. | PARTS NAMES |
|--------|-------------------------|--------|------------------------------|--------|--------------------------|
| 0041 | Drive Gear Washer | 3471 | Anti-Reverse Cam Spring | 7295 | Ball Bearing |
| 0071 | Rotor Nut | 3657 | Pinion Gear | 7298 | Anti-Reverse Lever |
| 0540 | Bail Trip Lever Screw | 3662 | Drive Gear | 7303 | Oscillating Gear |
| 0642 | Side Cover Screw | 3665 | Slider Retainer Screw | 7304 | Oscillating Gear Bushing |
| 0779 | Multi-Purpose Screw | 3848 | Bail Spring Guide (A) | 7337 | Ball Bearing |
| 0787 | Nut Lock Screw | 3849 | Bail Spring Guide (B) | 7350 | Line Roller |
| 0792 | Bearing Retainer Screw | 3851 | Bail Trip Lever | 7351 | Line Roller Bearing |
| 1008 | Handle Lock Washer | 3853 | Anti-Reverse Lock Out | 7352 | Bail Arm |
| 1427 | Spool Support | 3854 | Anti-Reverse Lock Out Spring | 7354 | Handle Assembly |
| 1891 | Bail Spring Cover Screw | 3855 | Lock Out Spring Holder | 7356 | Rotor Assembly |
| 2283 | Anti-Reverse Pawl Screw | 3856 | Anti-Reverse Pawl | 7618 | Drag Knob Assembly |
| 2419 | Handle Screw Cap | 3857 | Anti-Reverse Pawl Spring | 7619 | Spool Assembly |
| 2852 | Handle Screw Lock | 4367 | Line Roller Screw | 7620 | Main Shaft |
| 3304 | Bearing Spacer | 4631 | Spacer | 7621 | Anti-Reverse Cam |
| 3308 | Line Roller Washer | 4743 | Line Roller Bushing | 7622 | Oscillating Slider |
| 3397 | Bail Spring | 4744 | Roller Bearing Seal | 7623 | Body Assembly |
| 3402 | Cover Screw | 5690 | Anti-Reverse Lever Screw | | |
| 3455 | Spool Washer | 7081 | Bail Assembly | 7624 | Spare Spool Assembly |