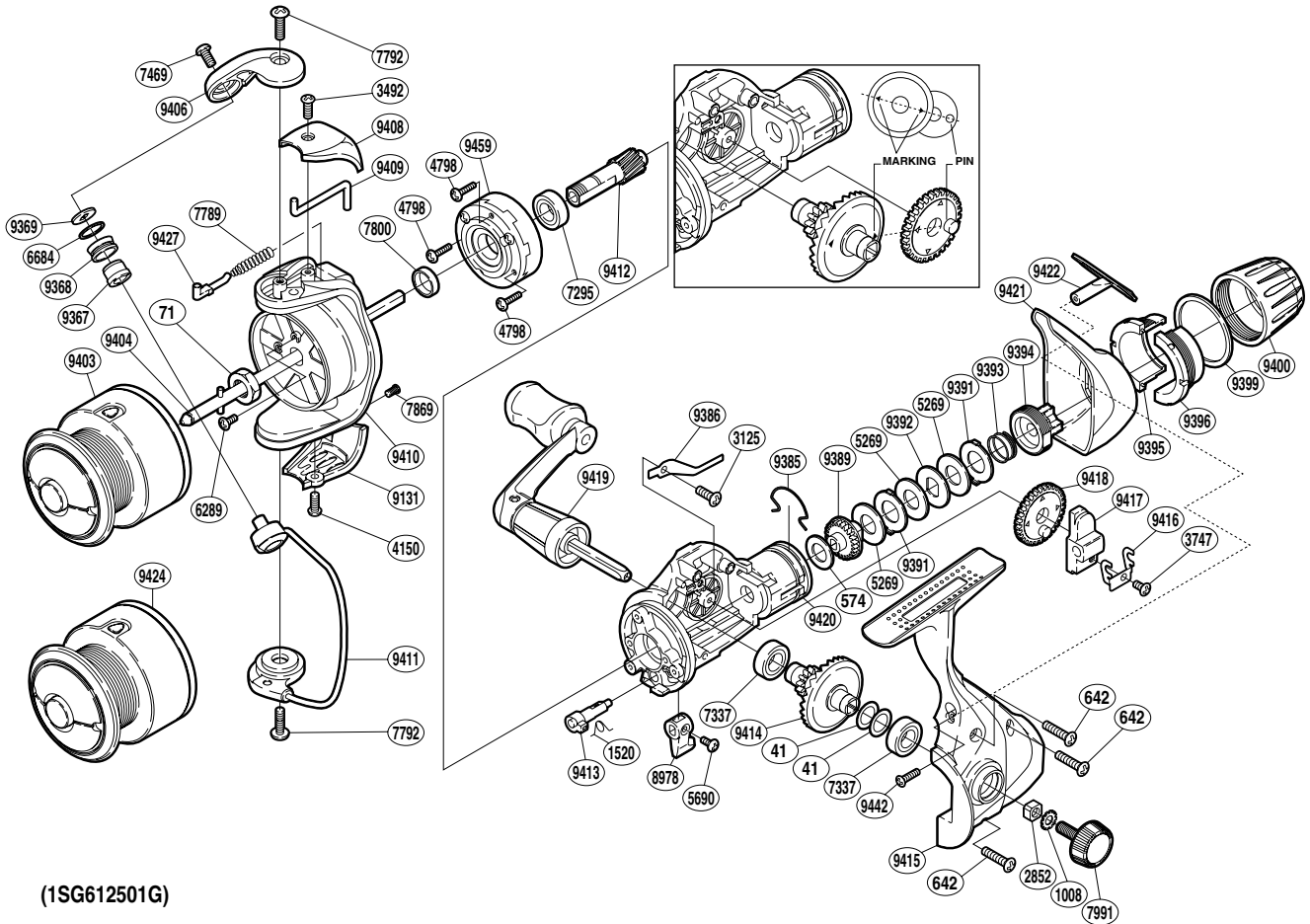


SHIMANO

NEXAVE

NEX-2500RA



(1SG612501G)

Part No.	Description	Part No.	Description	Part No.	Description
RD 0041	Washer	RD 7800	Rotor Ring	RD 9406	Bail Arm
RD 0071	Rotor Nut	RD 7869	Screw	RD 9408	Bail Spring Cover
RD 0574	Drag Washer C (cloth)	RD 7991	Handle Screw Cap	RD 9409	Bail Trip Lever
RD 0642	Screw	RD 8978	Anti-Reverse Lever	RD 9410	Rotor
RD 1008	Handle Lock Washer	RD 9131	Bail Hold Support Guard	RD 9411	Bail Assembly
RD 1520	Anti-Reverse Cam Spring	RD 9367	Line Roller Bushing	RD 9412	Pinion Gear
RD 2852	Handle Screw Lock	RD 9368	Line Roller	RD 9413	Anti-Reverse Cam
RD 3125	Screw	RD 9369	Line Roller Washer	RD 9414	Drive Gear
RD 3492	Screw	RD 9385	Hold Click Spring	RD 9415	Side Cover
RD 3747	Screw	RD 9386	Drag Click	RD 9416	Oscillating Slider Retainer
RD 4150	Screw	RD 9389	Drag Shaft	RD 9417	Oscillating Slider
RD 4798	Screw	RD 9391	Eared Washer	RD 9418	Oscillating Gear
RD 5269	Drag Washer H (blue)	RD 9392	Key Washer	RD 9419	Handle Assembly
RD 5690	Screw	RD 9393	Drag Coil Spring	RD 9420	Body
RD 6289	Screw	RD 9394	Pressure Screw	RD 9421	Rear Protector B
RD 6684	Line Roller Spacer	RD 9395	Drag Programmer B1	RD 9422	Rear Protector A
RD 7295	Ball Bearing	RD 9396	Drag Programmer B2	RD 9427	Bail Spring Guide
RD 7337	Ball Bearing	RD 9399	Drag Programmer B Ring	RD 9442	Screw
RD 7469	Screw	RD 9400	Drag Programmer A	RD 9459	Roller Clutch Assembly
RD 7789	Bail Spring	RD 9403	Spool Assembly		
RD 7792	Screw	RD 9404	Main Shaft	RD 9424	Spare Spool Assembly