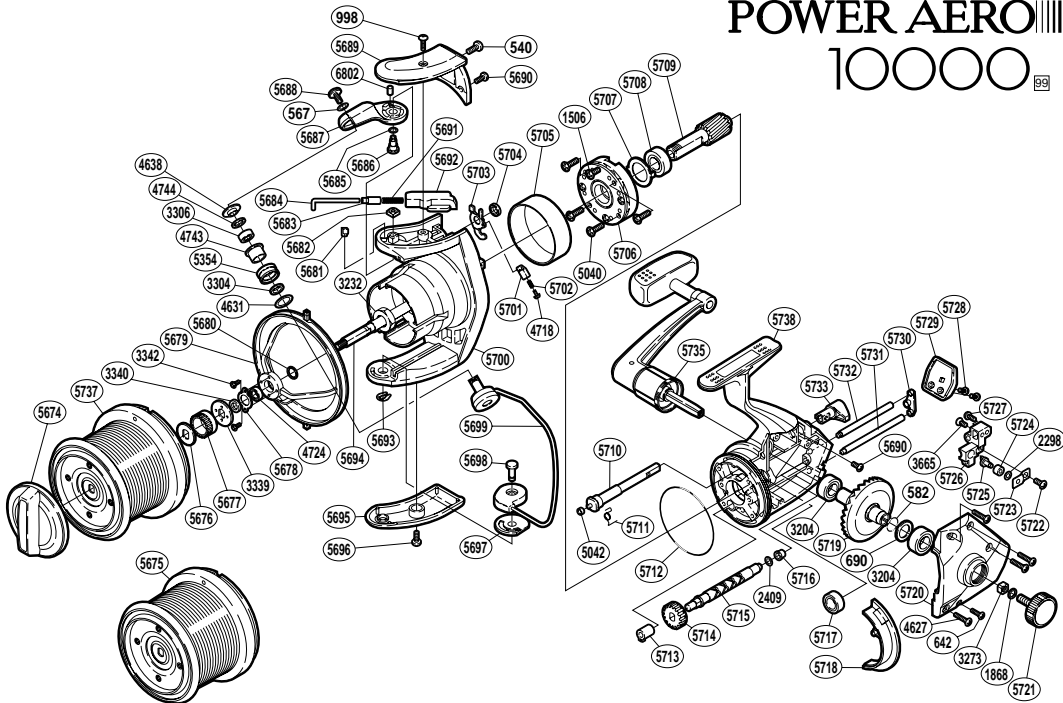


POWER AERO

10000



RD No.	PARTS NAMES	RD No.	PARTS NAMES	RD No.	PARTS NAMES
0540	Bail Spring Cover Screw (medium)	5678	Bearing Retainer	5710	Anti-Reverse Cam
0567	Lock Washer	5679	Line Safety Guard	5711	Anti-Reverse Cam Spring
0582	"O" Ring (small)	5680	Line Safety Guard Spacer (B)	5712	"O" Ring (large)
0642	Side Cover Screw (small)	5681	Angle Controller	5713	Worm Bushing (front)
0690	Drive Gear Washer	5682	Bail Arm Nut	5714	Idle Gear
0998	Bail Spring Cover Screw (long)	5683	Spring Guide (A) Support	5715	Worm Shaft
1506	Clutch Cover Screw	5684	Bail Spring Guide (A)	5716	Worm Bushing (rear)
1868	Handle Lock Washer	5685	Spacer	5717	Ball Bearing
2298	Spacer	5686	Bail Arm Shaft	5718	Side Cover Flange
2409	Worm Shaft Spacer	5687	Bail Arm	5719	Drive Gear
3204	Ball Bearing	5688	Line Roller Screw	5720	Side Cover
3232	Rotor Nut	5689	Bail Spring Cover	5721	Handle Screw Cap
3273	Handle Screw Lock	5690	Multi-Purpose Screw	5722	Oscillating Pawl Cover Screw
3304	Bearing Spacer	5691	Bail Spring	5723	Oscillating Pawl Cover
3306	Line Roller Bearing	5692	Bail Spring Guide (B)	5724	Oscillating Slider Bushing
3339	Spool Support (B)	5693	"U" Lock	5725	Oscillating Pawl
3340	Line Safety Guard Spacer (A)	5694	Main Shaft	5726	Oscillating Slider
3342	Bearing Retainer Screw	5695	Bail Hold Support Guard	5727	Slider Retainer Screw (B)
3665	Slider Retainer Screw (A)	5696	Guard Screw	5728	Rear Protector Screw
4627	Side Cover Screw (large)	5697	Bail Hold Support Spacer	5729	Rear Protector
4631	Spacer	5698	Bail Hold Support Shaft	5730	Worm Shaft Retainer Washer
4638	Line Roller Washer	5699	Bail Assembly	5731	Oscillating Guide (long)
4718	Lever Spring Guide (A)	5700	Rotor	5732	Oscillating Guide (short)
4724	Ball Bearing	5701	Lever Spring Guide (B)	5733	Anti-Reverse Lever
4743	Line Roller Bushing	5702	Lever Spring	5735	Handle Assembly
4744	Roller Bearing Seal	5703	Bail Trip Lever	5737	Spool Assembly (TYPE 8)
5040	Roller Clutch Screw	5704	Trip Lever Spacer	5738	Body
5042	Anti-Reverse Cam Ring	5705	Roller Clutch Ring	6802	Bail Arm Bushing
5354	Line Roller	5706	Roller Clutch Assembly		
5674	Drag Knob	5707	Bearing Washer		
5676	Spool Washer	5708	Ball Bearing		
5677	Spool Support (A)	5709	Pinion Gear	5675	Spool Assembly (TYPE 5)