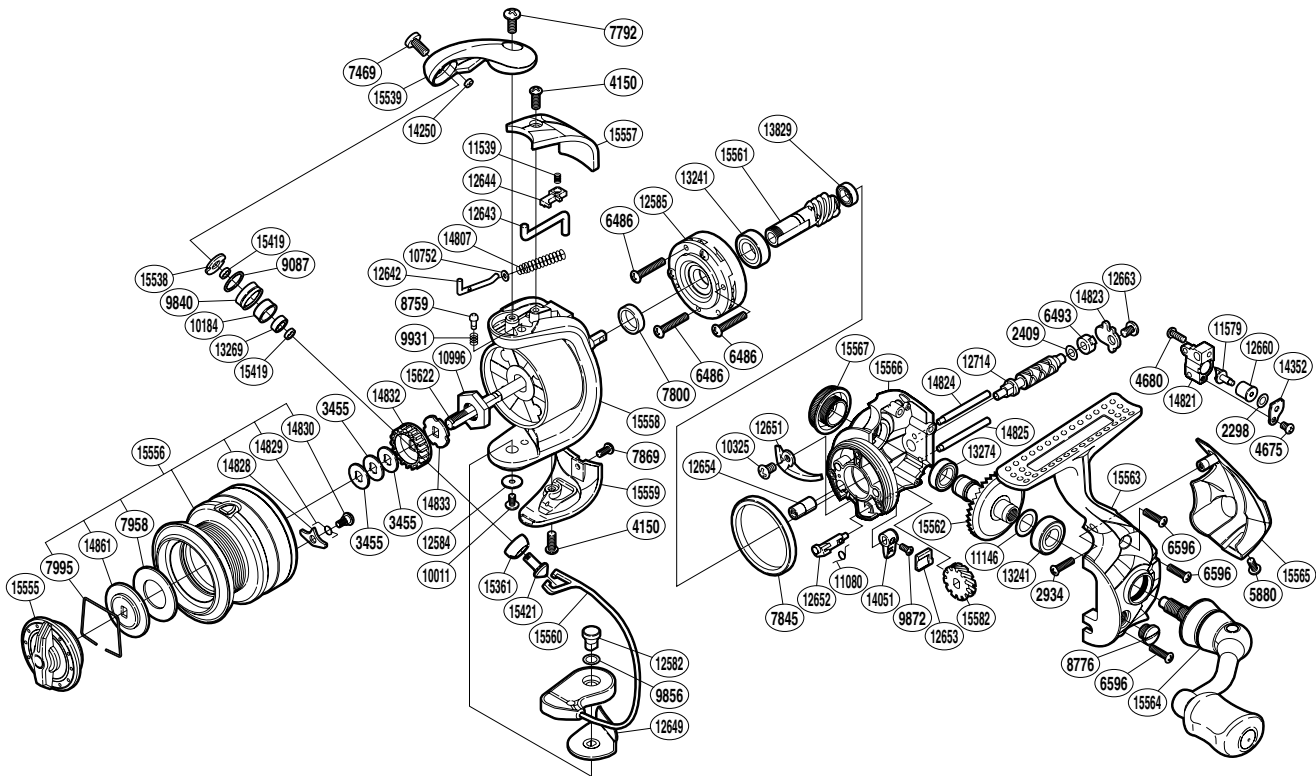


SHIMANO

SAROS SA-RB

SAR-1000FA



Please note that the number of adjusting washers may not be the same as shown in the exploded views. (Adjustment will vary with each individual product.)

(1SE761001U)

Part No.	Description	Part No.	Description	Part No.	Description
RD 2298	Spacer	RD10996	Rotor Nut	RD14824	Oscillating Guide A
RD 2409	Spacer	RD11080	Anti-Reverse Cam Spring	RD14825	Oscillating Guide B
RD 2934	Screw	RD11146	Washer	RD14828	Drag Click
RD 3455	Spool Washer	RD11539	Bail Trip Lever Spring	RD14829	Drag Click Spring
RD 4150	Screw	RD11579	Oscillating Pawl	RD14830	Screw
RD 4675	Screw	RD12582	Bail Hold Support Shaft	RD14832	Spool Support A
RD 4680	Screw	RD12584	Washer	RD14833	Spool Support B
RD 5880	Screw	RD12585	Roller Clutch Assembly	RD14861	Key Washer
RD 6486	Screw	RD12642	Bail Spring Guide A	RD15361	Line Roller Support Cover
RD 6493	Worm Bushing (rear)	RD12643	Bail Trip Lever	RD15419	Bearing Spacer
RD 6596	Screw	RD12644	Bail Trip Cover	RD15421	Line Roller Support
RD 7469	Screw	RD12649	Bail Hold Support Spacer	RD15538	Line Roller Plate
RD 7792	Screw	RD12651	Bail Trip Strike	RD15539	Bail Arm
RD 7800	Rotor Ring	RD12652	Anti-Reverse Cam	RD15555	Drag Knob
RD 7845	Friction Ring	RD12653	Anti-Reverse Lever Cover	RD15556	Spool Assembly
RD 7869	Screw	RD12654	Worm Bushing (front)	RD15557	Bail Spring Cover
RD 7958	Drag Washer	RD12660	Oscillating Slider Bushing	RD15558	Rotor
RD 7995	Drag Washers Retainer	RD12663	Screw	RD15559	Bail Hold Support Guard
RD 8759	Click Pin	RD12714	Worm Shaft	RD15560	Bail Assembly
RD 8776	Oil Cap	RD13241	Ball Bearing	RD15561	Pinion Gear
RD 9087	Line Roller Spacer	RD13269	Ball Bearing	RD15562	Drive Gear
RD 9840	Line Roller	RD13274	Ball Bearing	RD15563	Side Cover
RD 9856	Washer	RD13829	Ball Bearing	RD15564	Handle Assembly
RD 9872	Screw	RD14051	Anti-Reverse Lever	RD15565	Rear Protector
RD 9931	Click Spring	RD14250	Line Roller Oil Cap	RD15566	Body
RD10011	Screw	RD14352	Oscillating Pawl Cover	RD15567	Handle Screw Cap
RD10184	Line Roller Bushing	RD14807	Bail Spring	RD15582	Idle Gear
RD10325	Screw	RD14821	Oscillating Slider	RD15622	Main Shaft
RD10752	Bail Spring Guide A Support	RD14823	Worm Shaft Retainer		

(240802)