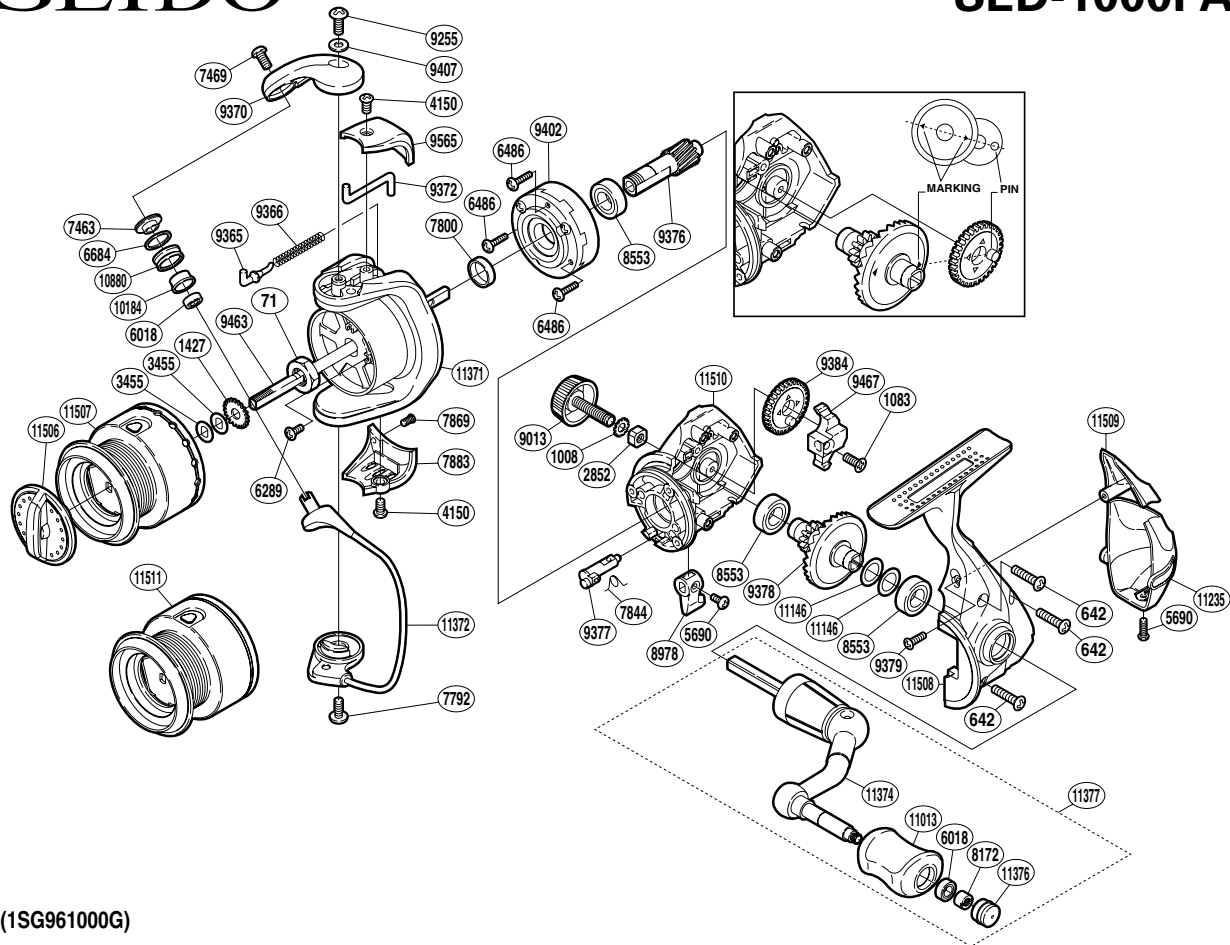


SHIMANO

SEIDO

SED-1000FA



(1SG961000G)

Part No.	Description	Part No.	Description	Part No.	Description
RD 0071	Rotor Nut	RD 7883	Bail Hold Support Guard	RD 9565	Bail Spring Cover
RD 0642	Screw	RD 8172	Handle Knob Nut	RD10184	Line Roller Bushing
RD 1008	Handle Lock Washer	RD 8553	Ball Bearing	RD10880	Line Roller
RD 1083	Screw	RD 8978	Anti-Reverse Lever	RD11013	Handle Knob
RD 1427	Spool Support	RD 9013	Handle Screw Cap	RD11146	Washer
RD 2852	Handle Screw Lock	RD 9255	Screw	RD11235	Rear Protector B
RD 3455	Spool Washer	RD 9365	Bail Spring Guide	RD11371	Rotor
RD 4150	Screw	RD 9366	Bail Spring	RD11372	Bail Assembly
RD 5690	Screw	RD 9370	Bail Arm	RD11374	Handle Shank Assembly
RD 6018	Ball Bearing	RD 9372	Bail Trip Lever	RD11376	Handle Knob Seal
RD 6289	Screw	RD 9376	Pinion Gear	RD11377	Handle Assembly
RD 6486	Screw	RD 9377	Anti-Reverse Cam	RD11506	Drag Knob
RD 6684	Line Roller Spacer	RD 9378	Drive Gear	RD11507	Spool Assembly
RD 7463	Line Roller Washer	RD 9379	Screw	RD11508	Side Cover
RD 7469	Screw	RD 9384	Oscillating Gear	RD11509	Rear Protector A
RD 7792	Screw	RD 9402	Roller Clutch Assembly	RD11510	Body
RD 7800	Rotor Ring	RD 9407	Washer		
RD 7844	Anti-Reverse Cam Spring	RD 9463	Main Shaft		
RD 7869	Screw	RD 9467	Oscillating Slider	RD11511	Spare Spool Assembly