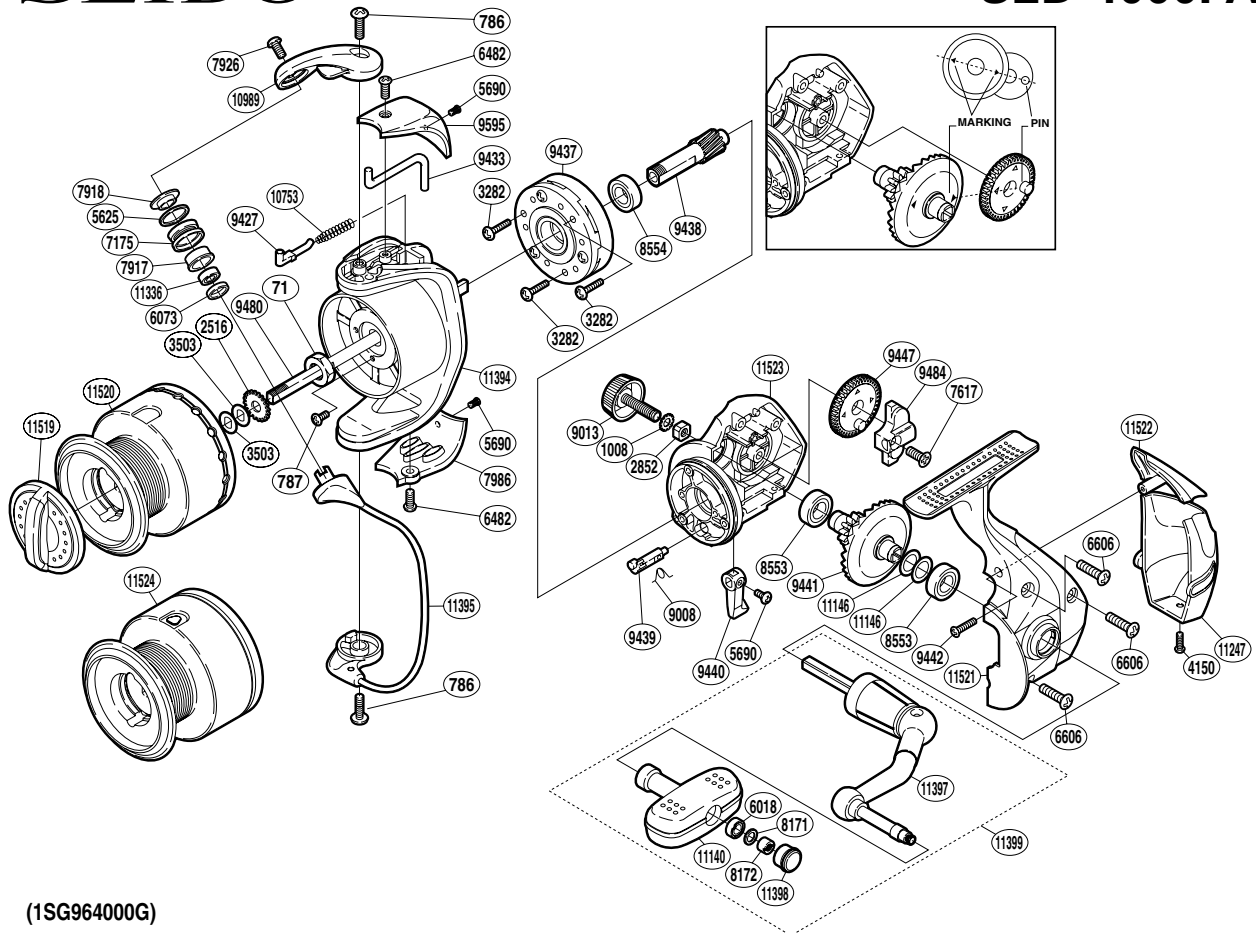


SHIMANO

SEIDO

SED-4000FA



(1SG964000G)

Part No.	Description	Part No.	Description	Part No.	Description
RD 0071	Rotor Nut	RD 7926	Screw	RD 9595	Bail Spring Cover
RD 0786	Screw	RD 7986	Bail Hold Support Guard	RD10753	Bail Spring
RD 0787	Screw	RD 8171	Washer	RD10989	Bail Arm
RD 1008	Handle Lock Washer	RD 8172	Handle Knob Nut	RD11140	Handle Knob
RD 2516	Spool Support	RD 8553	Ball Bearing	RD11146	Washer
RD 2852	Handle Screw Lock	RD 8554	Ball Bearing	RD11247	Rear Protector B
RD 3282	Screw	RD 9008	Anti-Reverse Cam Spring	RD11336	Ball Bearing
RD 3503	Spool Washer	RD 9013	Handle Screw Cap	RD11394	Rotor
RD 4150	Screw	RD 9427	Bail Spring Guide	RD11395	Bail Assembly
RD 5625	Line Roller Spacer	RD 9433	Bail Trip Lever	RD11397	Handle Shank Assembly
RD 5690	Screw	RD 9437	Roller Clutch Assembly	RD11398	Handle Knob Seal
RD 6018	Ball Bearing	RD 9438	Pinion Gear	RD11399	Handle Assembly
RD 6073	Bearing Spacer	RD 9439	Anti-Reverse Cam	RD11519	Drag Knob
RD 6482	Screw	RD 9440	Anti-Reverse Lever	RD11520	Spool Assembly
RD 6606	Screw	RD 9441	Drive Gear	RD11521	Side Cover
RD 7175	Line Roller	RD 9442	Screw	RD11522	Rear Protector A
RD 7917	Line Roller Bushing	RD 9447	Oscillating Gear	RD11523	Body
RD 7918	Line Roller Washer	RD 9480	Main Shaft		
		RD 9484	Oscillating Slider	RD11524	Spare Spool Assembly