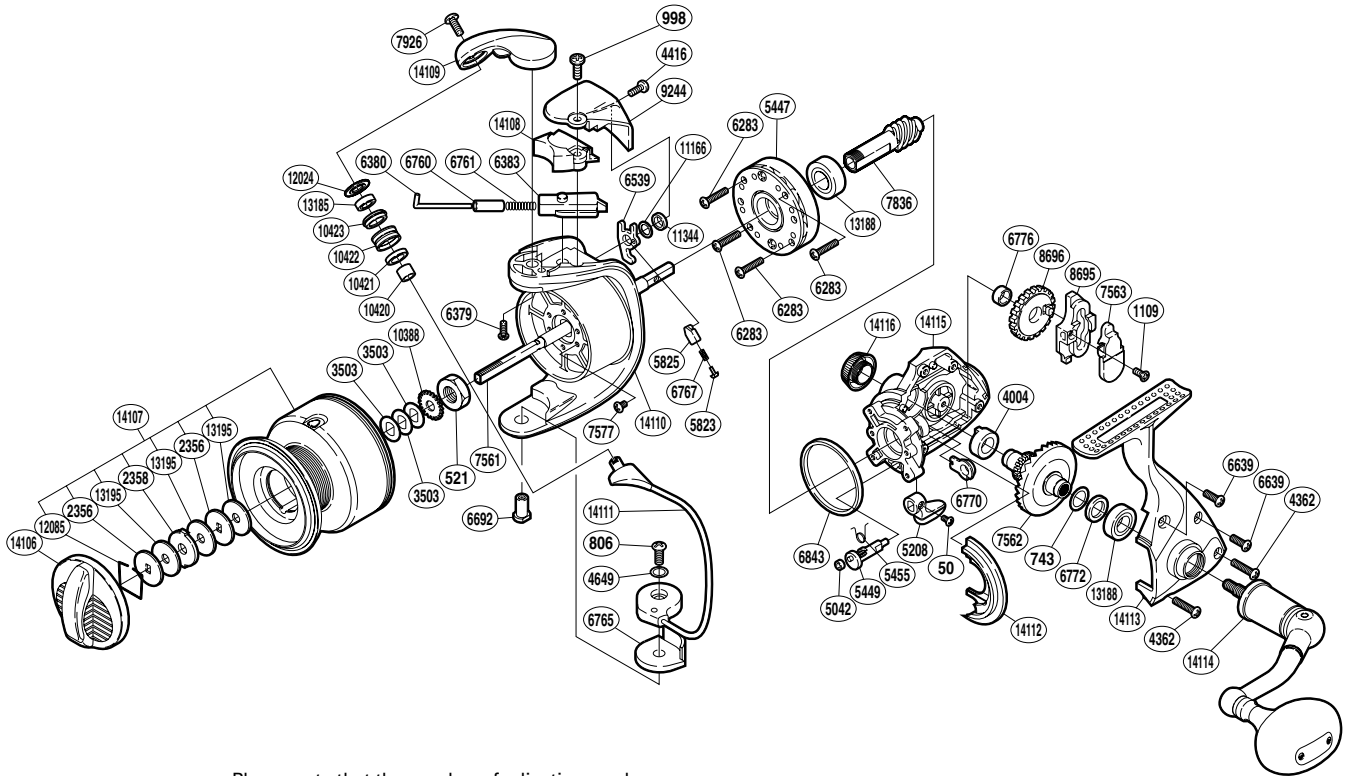


# SHIMANO

## SPHEROS A-RB

## SP-8000PG



Please note that the number of adjusting washers may not be the same as shown in the exploded views. (Adjustment will vary with each individual product.)

(1SH168000G)

Part No.	Description	Part No.	Description	Part No.	Description
RD 0050	Screw	RD 6383	Bail Spring Guide B	RD10421	Line Roller Collar
RD 0521	Rotor Nut	RD 6539	Bail Trip Lever	RD10422	Line Roller
RD 0743	Washer	RD 6639	Screw	RD10423	Line Roller Bushing
RD 0806	Screw	RD 6692	Bail Hold Support Shaft	RD11166	Spacer
RD 0998	Screw	RD 6760	Bail Spring Guide A Collar	RD11344	Trip Lever Washer
RD 1109	Screw	RD 6761	Bail Spring	RD12024	Line Roller Washer
RD 2356	Key Washer	RD 6765	Bail Hold Support Spacer	RD12085	Drag Washers Retainer
RD 2358	Eared Washer	RD 6767	Bail Trip Lever Spring	RD13185	Ball Bearing
RD 3503	Spool Washer	RD 6770	Bushing	RD13188	Ball Bearing
RD 4004	Drive Gear Bushing	RD 6772	Spacer	RD13195	Drag Washer
RD 4362	Screw	RD 6776	Oscillating Gear Bushing	RD14106	Drag Knob
RD 4416	Screw	RD 6843	Friction Ring	RD14107	Spool Assembly
RD 4649	Spacer	RD 7561	Main Shaft	RD14108	Bail Spring Cover
RD 5042	Anti-Reverse Cam Ring	RD 7562	Drive Gear	RD14109	Bail Arm
RD 5208	Anti-Reverse Lever	RD 7563	Oscillating Slider Inner	RD14110	Rotor
RD 5447	Roller Clutch Assembly	RD 7577	Screw	RD14111	Bail Assembly
RD 5449	Anti-Reverse Cam	RD 7836	Pinion Gear	RD14112	Side Cover Flange
RD 5455	Anti-Reverse Cam Spring	RD 7926	Screw	RD14113	Side Cover
RD 5823	Lever Spring Guide A	RD 8695	Oscillating Slider	RD14114	Handle Assembly
RD 5825	Lever Spring Guide B	RD 8696	Oscillating Gear	RD14115	Body
RD 6283	Screw	RD 9244	Bail Spring Cover Guard	RD14116	Handle Screw Cap
RD 6379	Screw	RD10388	Spool Support		
RD 6380	Bail Spring Guide A	RD10420	Bearing Spacer		