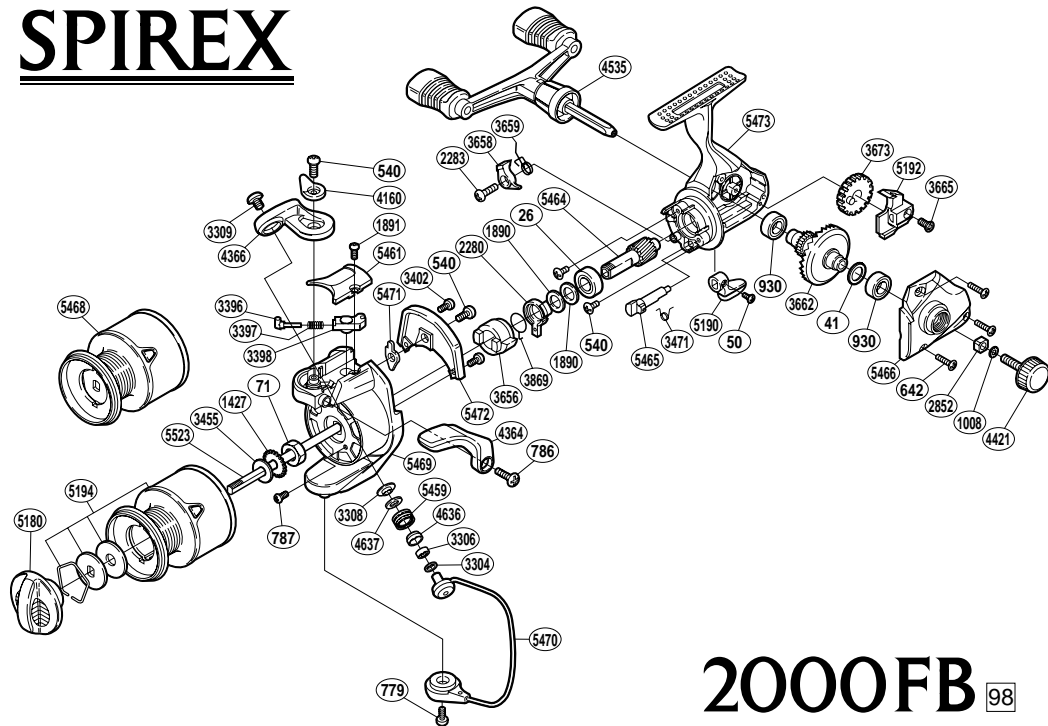


SPIREX



2000FB 98

RD No.	PARTS NAMES	RD No.	PARTS NAMES	RD No.	PARTS NAMES
0026	Ball Bearing	3308	Line Roller Washer	4535	Double Paddle Handle Assembly
0041	Drive Gear Washer	3309	Line Roller Screw	4636	Line Roller Bushing
0050	Anti-Reverse Lever Screw	3396	Bail Spring Guide (A)	4637	Line Roller Spacer
0071	Rotor Nut	3397	Bail Spring	5180	Drag Knob
0540	Multi-Purpose Screw	3398	Bail Spring Guide (B)	5190	Anti-Reverse Lever
0642	Side Cover Screw	3402	Cover Screw	5192	Oscillating Slider
0779	Bail Hold Support Screw	3455	Spool Washer	5194	Spool Assembly (aluminum)
0786	Trigger Screw	3471	Anti-Reverse Cam Spring	5459	Line Roller
0787	Nut Lock Screw	3656	Anti-Reverse Ratchet	5461	Bail Spring Cover
0930	Ball Bearing	3658	Anti-Reverse Pawl	5464	Pinion Gear
1008	Handle Lock Washer	3659	Anti-Reverse Pawl Spring	5465	Anti-Reverse Cam
1427	Spool Support	3662	Drive Gear	5466	Side Cover
1890	Bushing Washer	3665	Slider Retainer Screw	5468	Spool Assembly (graphite)
1891	Bail Spring Cover Screw	3673	Oscillating Gear	5469	Rotor
2280	Anti-Reverse Lock Out	3869	Anti-Reverse Lock Out Spring	5470	Bail Assembly
2283	Anti-Reverse Pawl Screw	4160	Trigger Cam	5471	Bail Trip Lever
2852	Handle Screw Lock	4364	Quick-Fire II Trigger	5472	Counterbalance Cover
3304	Bearing Spacer	4366	Bail Arm	5473	Body
3306	Line Roller Bearing	4421	Handle Screw Cap	5523	Main Shaft