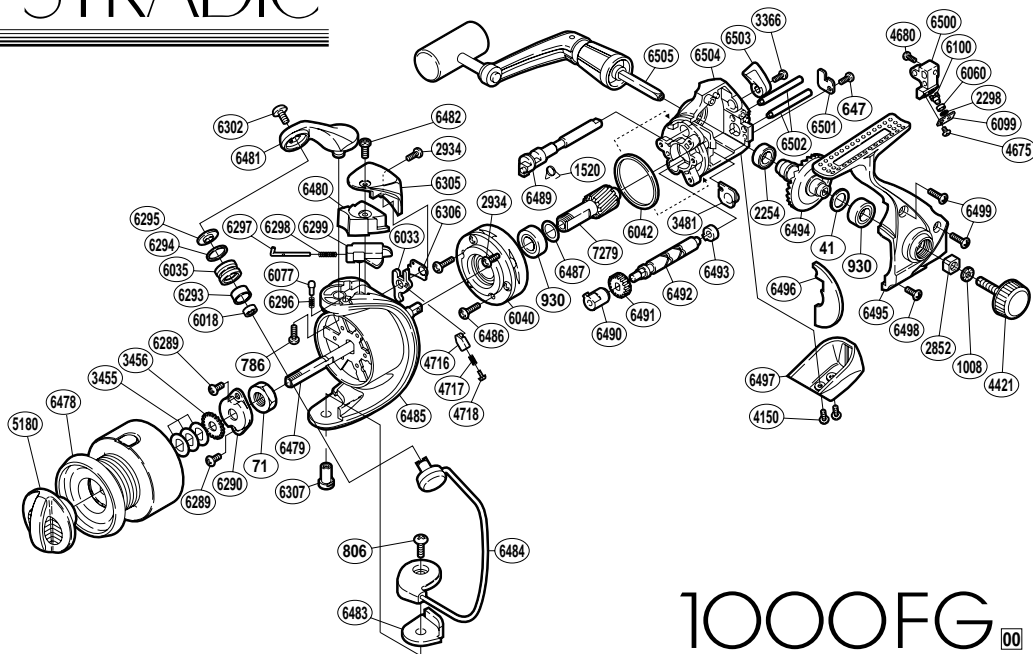


STRADIC



1000FG 00

RD No.	PARTS NAMES	RD No.	PARTS NAMES	RD No.	PARTS NAMES
0041	Drive Gear Washer	6033	Bail Trip Lever	6482	Protector Screw
0071	Rotor Nut	6035	Line Roller	6483	Bail Hold Support Spacer
0647	Worm Shaft Retainer Screw	6040	Roller Clutch Assembly	6484	Bail Assembly
0786	Bail Arm Screw	6042	Friction Ring	6485	Rotor
0806	Bail Hold Support Screw	6060	Oscillating Slider Bushing	6486	Roller Clutch Screw
0930	Ball Bearing	6077	Click Pin	6487	Adjusting Washer
1008	Handle Lock Washer	6099	Oscillating Pawl Cover	6489	Anti-Reverse Cam
1520	Anti-Reverse Cam Spring	6100	Oscillating Pawl	6490	Worm Bushing (front)
2254	Ball Bearing	6289	Nut Lock Screw	6491	Idle Gear
2298	Spacer	6290	Rotor Nut Lock Plate	6492	Worm Shaft
2852	Handle Screw Lock	6293	Line Roller Bushing	6493	Worm Bushing (rear)
2934	Multi-Purpose Screw	6294	Line Roller Spacer	6494	Drive Gear
3366	Anti-Reverse Lever Screw	6295	Line Roller Washer	6495	Side Cover
3455	Spool Washer	6296	Click Spring	6496	Side Cover Flange
3456	Spool Support	6297	Bail Spring Guide (A)	6497	Rear Protector
3481	Bushing	6298	Bail Spring	6498	Side Cover Screw (short)
4150	Rear Protector Screw	6299	Bail Spring Guide (B)	6499	Side Cover Screw (long)
4421	Handle Screw Cap	6302	Line Roller Screw	6500	Oscillating Slider
4675	Oscillating Pawl Cover Screw	6305	Rotor Protector	6501	Worm Shaft Retainer
4680	Slider Retainer Screw	6306	Trip Lever Spacer	6502	Oscillating Guide
4716	Lever Spring Guide (B)	6307	Bail Hold Support Shaft	6503	Anti-Reverse Lever
4717	Lever Spring	6478	Spool Assembly	6504	Body
4718	Lever Spring Guide (A)	6479	Main Shaft	6505	Handle Assembly
5180	Drag Knob	6480	Bail Spring Cover	7279	Pinion Gear
6018	Ball Bearing	6481	Bail Arm		

(121109)