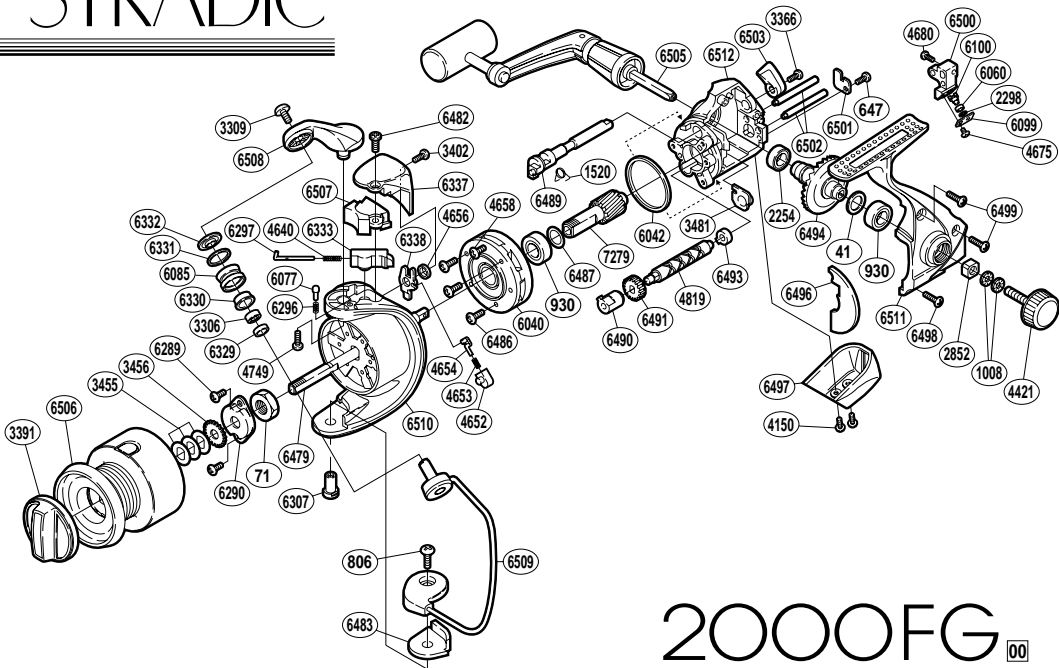


STRADIC



2000FG 00

RD No.	PARTS NAMES	RD No.	PARTS NAMES	RD No.	PARTS NAMES
0041	Drive Gear Washer	4675	Oscillating Pawl Cover Screw	6486	Roller Clutch Screw
0071	Rotor Nut	4680	Slider Retainer Screw	6487	Adjusting Washer
0647	Worm Shaft Retainer Screw	4749	Bail Arm Screw	6489	Anti-Reverse Cam
0806	Bail Hold Support Screw	4819	Worm Shaft	6490	Worm Bushing (front)
0930	Ball Bearing	6040	Roller Clutch Assembly	6491	Idle Gear
1008	Handle Lock Washer	6042	Friction Ring	6493	Worm Bushing (rear)
1520	Anti-Reverse Cam Spring	6060	Oscillating Slider Bushing	6494	Drive Gear
2254	Ball Bearing	6077	Click Pin	6496	Side Cover Flange
2298	Spacer	6085	Line Roller	6497	Rear Protector
2852	Handle Screw Lock	6099	Oscillating Pawl Cover	6498	Side Cover Screw (short)
3306	Ball Bearing	6100	Oscillating Pawl	6499	Side Cover Screw (long)
3309	Line Roller Screw	6289	Nut Lock Screw	6500	Oscillating Slider
3366	Anti-Reverse Lever Screw	6290	Rotor Nut Lock Plate	6501	Worm Shaft Retainer
3391	Drag Knob	6296	Click Spring	6502	Oscillating Guide
3402	Protector Screw (small)	6297	Bail Spring Guide (A)	6503	Anti-Reverse Lever
3455	Spool Washer	6307	Bail Hold Support Shaft	6505	Handle Assembly
3456	Spool Support	6329	Bearing Spacer	6506	Spool Assembly
3481	Bushing	6330	Line Roller Bushing	6507	Bail Spring Cover
4150	Rear Protector Screw	6331	Line Roller Spacer	6508	Bail Arm
4421	Handle Screw Cap	6332	Line Roller Washer	6509	Bail Assembly
4640	Bail Spring	6333	Bail Spring Guide (B)	6510	Rotor
4652	Lever Spring Guide (B)	6337	Rotor Protector	6511	Side Cover
4653	Lever Spring	6338	Bail Trip Lever	6512	Body
4654	Lever Spring Guide (A)	6479	Main Shaft	7279	Pinion Gear
4656	Trip Lever Spacer	6482	Protector Screw (large)		
4658	Clutch Cover Screw	6483	Bail Hold Support Spacer		