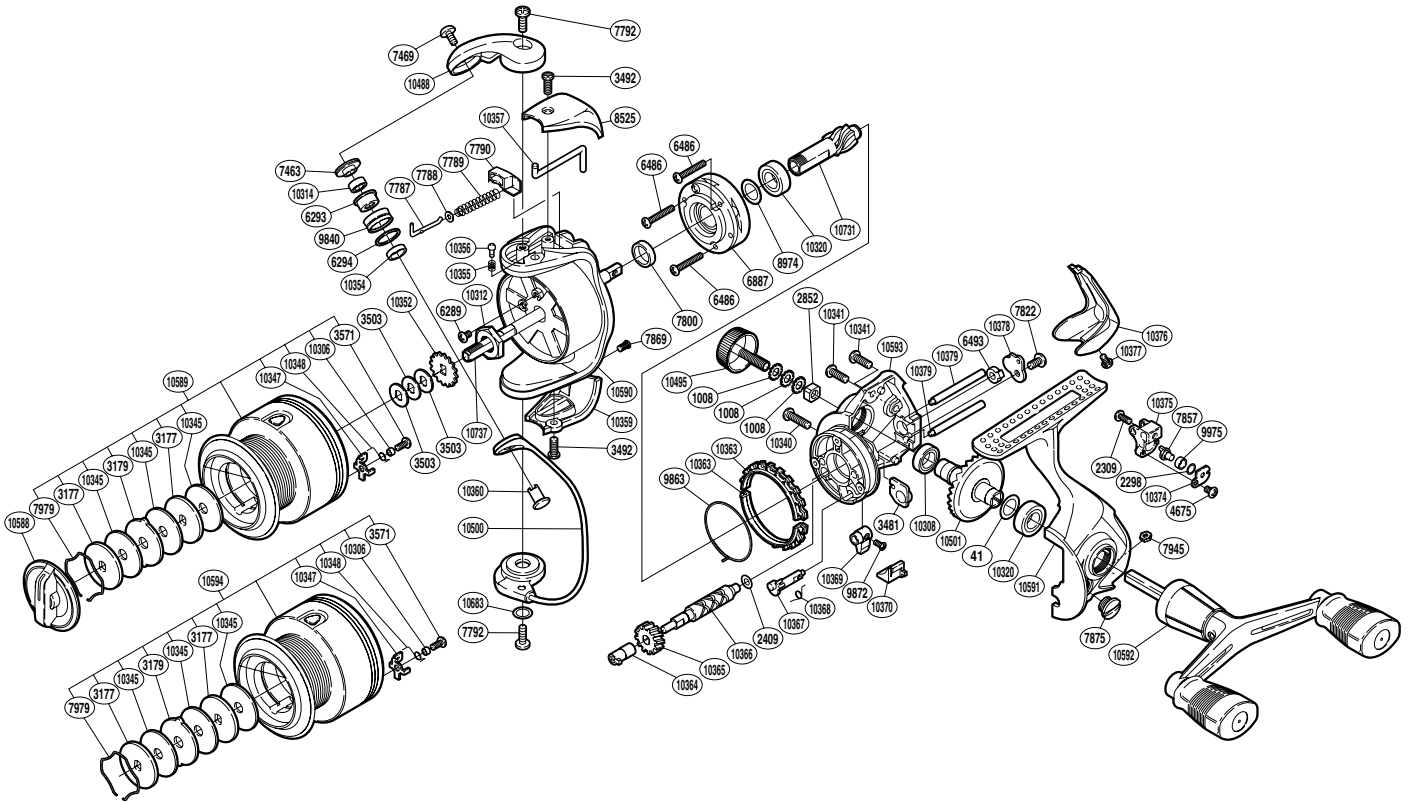


SHIMANO®

STRADIC



STR-2500FB



(1SG082514G)

Part No.	Description	Part No.	Description	Part No.	Description
RD 0041	Washer	RD 7869	Screw	RD10365	Idle Gear
RD 1008	Handle Lock Washer	RD 7875	Oil Cap	RD10366	Worm Shaft
RD 2298	Spacer	RD 7945	Nut	RD10367	Anti-Reverse Cam
RD 2309	Screw	RD 7979	Drag Washers Retainer	RD10368	Anti-Reverse Cam Spring
RD 2409	Spacer	RD 8525	Bail Spring Cover	RD10369	Anti-Reverse Lever
RD 2852	Handle Screw Lock	RD 8974	Washer	RD10370	Anti-Reverse Lever Cover
RD 3177	Key Washer	RD 9840	Line Roller	RD10374	Oscillating Pawl Cover
RD 3179	Eared Washer	RD 9863	Friction Spring	RD10375	Oscillating Slider
RD 3481	Bushing	RD 9872	Screw	RD10376	Rear Protector
RD 3492	Screw	RD 9975	Oscillating Slider Bushing	RD10377	Screw
RD 3503	Spool Washer	RD10306	Drag Click Collar	RD10378	Worm Shaft Retainer
RD 3571	Screw	RD10308	Ball Bearing	RD10379	Oscillating Guide
RD 4675	Screw	RD10312	Rotor Nut	RD10488	Bail Arm
RD 6289	Screw	RD10314	Ball Bearing	RD10495	Handle Screw Cap
RD 6293	Line Roller Bushing	RD10320	Ball Bearing	RD10500	Bail Assembly
RD 6294	Line Roller Spacer	RD10340	Screw	RD10501	Drive Gear
RD 6486	Screw	RD10341	Screw	RD10588	Drag Knob
RD 6493	Worm Bushing (rear)	RD10345	Drag Washer	RD10589	Spool Assembly
RD 6887	Roller Clutch Assembly	RD10347	Drag Click	RD10590	Rotor
RD 7463	Line Roller Washer	RD10348	Click Spring	RD10591	Side Cover
RD 7469	Screw	RD10352	Spool Support	RD10592	Double Paddle Handle Assembly
RD 7787	Bail Spring Guide A	RD10354	Bearing Spacer	RD10593	Body
RD 7788	Spring Guide A Support	RD10355	Click Spring	RD10683	Washer
RD 7789	Bail Spring	RD10356	Click Pin	RD10731	Pinion Gear
RD 7790	Bail Spring Seat	RD10357	Bail Trip Lever	RD10737	Main Shaft
RD 7792	Screw	RD10359	Bail Hold Support Guard		
RD 7800	Rotor Ring	RD10360	Line Roller Support		
RD 7822	Screw	RD10363	Friction Ring		
RD 7857	Oscillating Pawl	RD10364	Worm Bushing (front)	RD10594	Spare Spool Assembly

(180216)