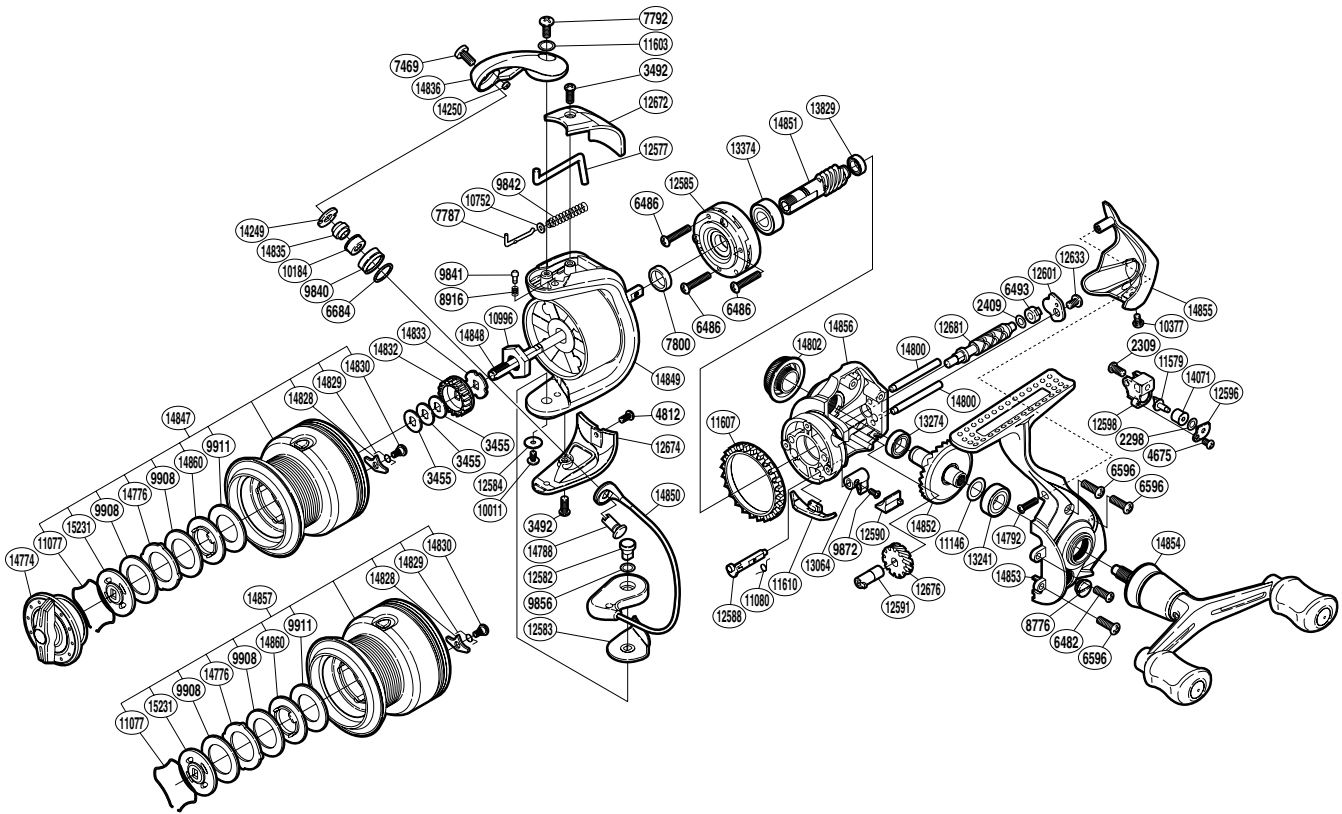


SHIMANO

STRADIC 

STR-2500FD



Please note that the number of adjusting washers may not be the same as shown in the exploded views. (Adjustment will vary with each individual product.)

(1SG082517G)

Part No.	Description	Part No.	Description	Part No.	Description
RD 2298	Spacer	RD11077	Drag Washers Retainer	RD14250	Line Roller Oil Cap
RD 2309	Screw	RD11080	Anti-Reverse Cam Spring	RD14774	Drag Knob
RD 2409	Spacer	RD11146	Washer	RD14776	Eared Washer
RD 3455	Spool Washer	RD11579	Oscillating Pawl	RD14788	Line Roller Support
RD 3492	Screw	RD11603	Washer	RD14792	Screw
RD 4675	Screw	RD11607	Friction Ring	RD14800	Oscillating Guide
RD 4812	Screw	RD11610	Bail Trip Strike	RD14802	Handle Screw Cap
RD 6482	Screw	RD12577	Bail Trip Lever	RD14828	Drag Click
RD 6486	Screw	RD12582	Bail Hold Support Shaft	RD14829	Drag Click Spring
RD 6493	Worm Bushing (rear)	RD12583	Bail Hold Support Spacer	RD14830	Screw
RD 6596	Screw	RD12584	Washer	RD14832	Spool Support A
RD 6684	Line Roller Spacer	RD12585	Roller Clutch Assembly	RD14833	Spool Support B
RD 7469	Screw	RD12588	Anti-Reverse Cam	RD14835	Line Roller Collar
RD 7787	Bail Spring Guide A	RD12590	Anti-Reverse Lever Cover	RD14836	Bail Arm
RD 7792	Screw	RD12591	Worm Bushing (front)	RD14847	Spool Assembly
RD 7800	Rotor Ring	RD12596	Oscillating Pawl Cover	RD14848	Main Shaft
RD 8776	Oil Cap	RD12598	Oscillating Slider	RD14849	Rotor
RD 8916	Click Spring	RD12601	Worm Shaft Retainer	RD14850	Bail Assembly
RD 9840	Line Roller	RD12663	Screw	RD14851	Pinion Gear
RD 9841	Click Pin	RD12672	Bail Spring Cover	RD14852	Drive Gear
RD 9842	Bail Spring	RD12674	Bail Hold Support Guard	RD14853	Side Cover
RD 9856	Washer	RD12676	Idle Gear	RD14854	Double Paddle Handle Assembly
RD 9872	Screw	RD12681	Worm Shaft	RD14855	Rear Protector
RD 9908	Drag Washer	RD13064	Anti-Reverse Lever	RD14856	Body
RD 9911	Drag Washer	RD13241	Ball Bearing	RD14860	Key Washer
RD10011	Screw	RD13274	Ball Bearing	RD15231	Key Washer
RD10184	Line Roller Bushing	RD13374	Ball Bearing		
RD10377	Screw	RD13829	Ball Bearing		
RD10752	Bail Spring Guide A Support	RD14071	Oscillating Slider Bushing		
RD10996	Rotor Nut	RD14249	Line Roller Plate	RD14857	Spare Spool Assembly