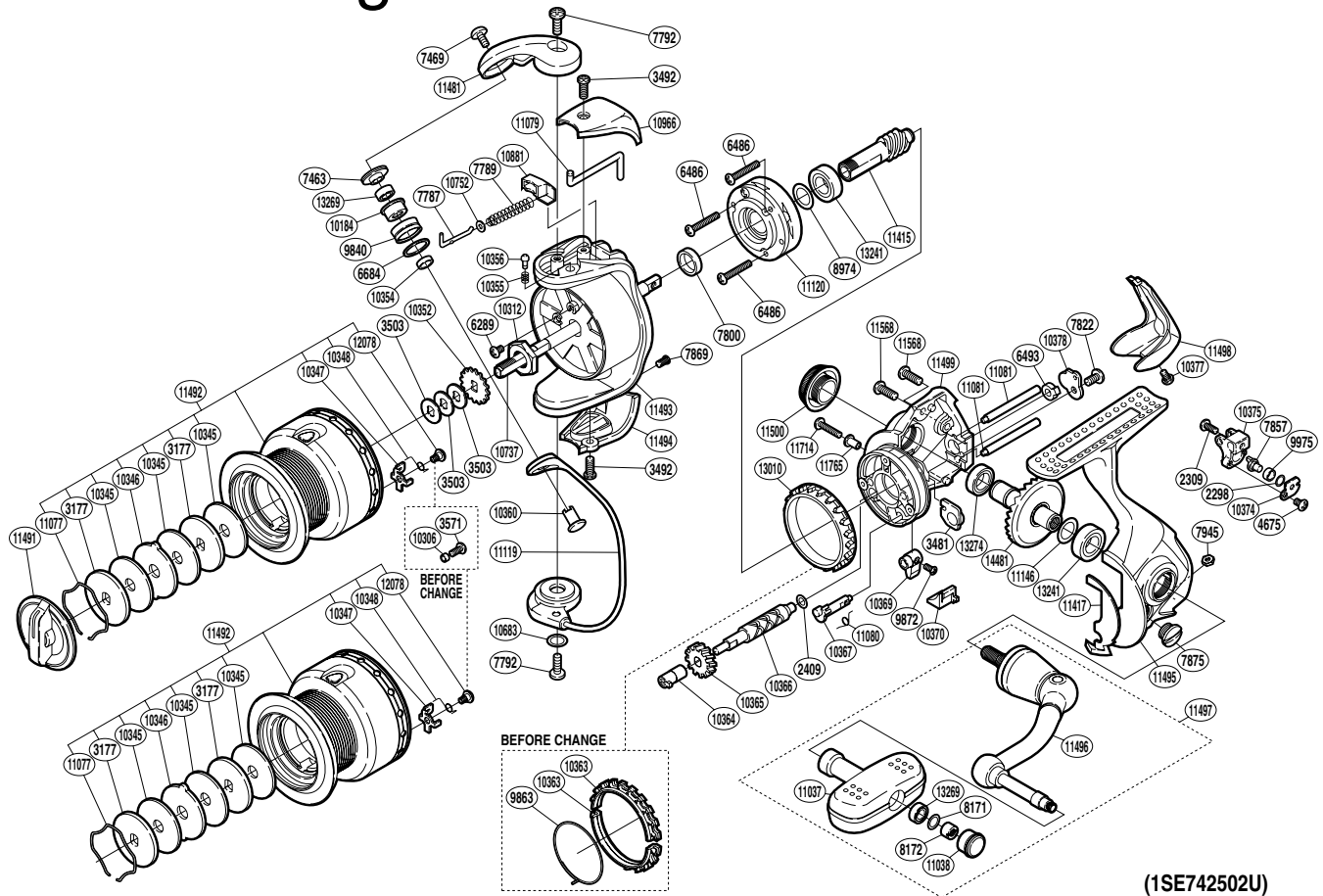


# SHIMANO

STRADIC Mg SA-RB

ST-2500MGFB



(1SE742502U)

Part No.	Description	Part No.	Description	Part No.	Description
RD 2298	Spacer	RD10345	Drag Washer	RD11120	Roller Clutch Assembly
RD 2309	Screw	RD10346	Eared Washer	RD11146	Washer
RD 2409	Spacer	RD10347	Drag Click	RD11415	Pinion Gear
RD 3177	Key Washer	RD10348	Click Spring	RD11417	Bail Trip Strike
RD 3481	Bushing	RD10352	Spool Support	RD11481	Bail Arm
RD 3492	Screw	RD10354	Bearing Spacer	RD11491	Drag Knob
RD 3503	Spool Washer	RD10355	Click Spring	RD11492	Spool Assembly
RD 4675	Screw	RD10356	Click Pin	RD11493	Rotor
RD 6289	Screw	RD10360	Line Roller Support	RD11494	Bail Hold Support Guard
RD 6486	Screw	RD10364	Worm Bushing (front)	RD11495	Side Cover
RD 6493	Worm Bushing (rear)	RD10365	Idle Gear	RD11496	Handle Shank Assembly
RD 6684	Line Roller Spacer	RD10366	Worm Shaft	RD11497	Handle Assembly
RD 7463	Line Roller Washer	RD10367	Anti-Reverse Cam	RD11498	Rear Protector
RD 7469	Screw	RD10369	Anti-Reverse Lever	RD11499	Body
RD 7787	Bail Spring Guide A	RD10370	Anti-Reverse Lever Cover	RD11500	Handle Screw Cap
RD 7789	Bail Spring	RD10374	Oscillating Pawl Cover	RD11568	Screw
RD 7792	Screw	RD10375	Oscillating Slider	RD11714	Screw
RD 7800	Rotor Ring	RD10377	Screw	RD11765	Screw Washer
RD 7822	Screw	RD10378	Worm Shaft Retainer	RD12078	Screw
RD 7857	Oscillating Pawl	RD10683	Washer	RD13010	Friction Ring
RD 7869	Screw	RD10737	Main Shaft	RD13241	Ball Bearing
RD 7875	Oil Cap	RD10752	Spring Guide A Support	RD13269	Ball Bearing
RD 7945	Nut	RD10881	Bail Spring Seat	RD13274	Ball Bearing
RD 8171	Washer	RD10966	Bail Spring Cover	RD14481	Drive Gear
RD 8172	Handle Knob Nut	RD11037	Handle Knob		
RD 8974	Washer	RD11038	Handle Knob Seal		
RD 9840	Line Roller	RD11077	Drag Washers Retainer		
RD 9872	Screw	RD11079	Bail Trip Lever	RD 3571	Screw (before change)
RD 9975	Oscillating Slider Bushing	RD11080	Anti-Reverse Cam Spring	RD 9863	Friction Spring (before change)
RD10184	Line Roller Bushing	RD11081	Oscillating Guide	RD10306	Drag Click Collar (before change)
RD10312	Rotor Nut	RD11119	Bail Assembly	RD10363	Friction Ring (before change)