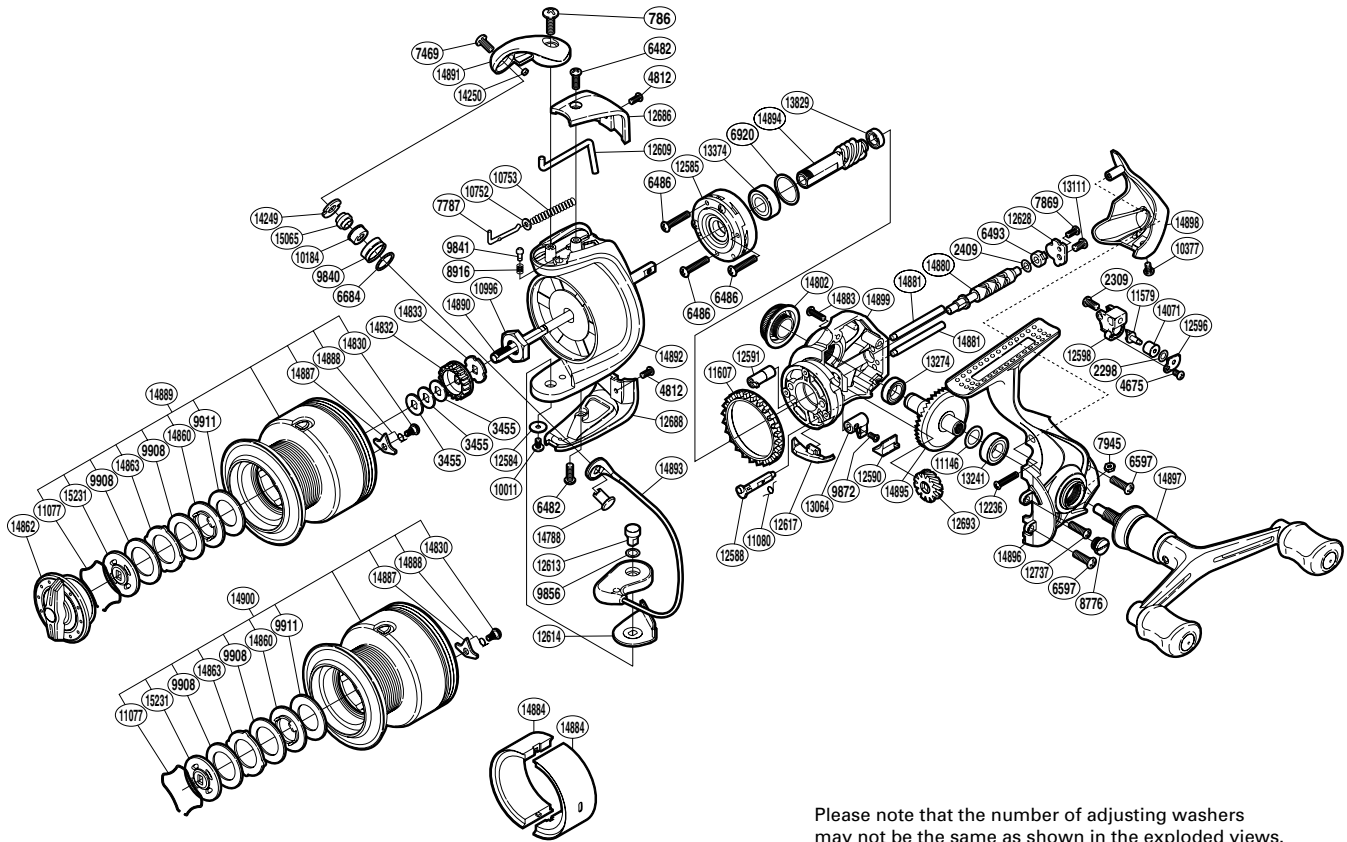


SHIMANO

STRADIC 

STR-4000FD



(1SG084017G)

Please note that the number of adjusting washers may not be the same as shown in the exploded views. (Adjustment will vary with each individual product.)

| Part No. | Description | Part No. | Description | Part No. | Description |
|----------|-----------------------------|----------|----------------------------|----------|-------------------------------|
| RD 0786 | Screw | RD11146 | Washer | RD14833 | Spool Support B |
| RD 2298 | Spacer | RD11579 | Oscillating Pawl | RD14860 | Key Washer |
| RD 2309 | Screw | RD11607 | Friction Ring | RD14862 | Drag Knob |
| RD 2409 | Spacer | RD12236 | Screw | RD14863 | Eared Washer |
| RD 3455 | Spool Washer | RD12584 | Washer | RD14880 | Worm Shaft |
| RD 4675 | Screw | RD12585 | Roller Clutch Assembly | RD14881 | Oscillating Guide |
| RD 4812 | Screw | RD12588 | Anti-Reverse Cam | RD14883 | Screw |
| RD 6482 | Screw | RD12590 | Anti-Reverse Lever Cover | RD14887 | Drag Click |
| RD 6486 | Screw | RD12591 | Worm Bushing (front) | RD14888 | Click Spring |
| RD 6493 | Worm Bushing (rear) | RD12596 | Oscillating Pawl Cover | RD14889 | Spool Assembly |
| RD 6597 | Screw | RD12598 | Oscillating Slider | RD14890 | Main Shaft |
| RD 6684 | Line Roller Spacer | RD12609 | Bail Trip Lever | RD14891 | Bail Arm |
| RD 6920 | Spacer | RD12613 | Bail Hold Support Shaft | RD14892 | Rotor |
| RD 7469 | Screw | RD12614 | Bail Hold Support Spacer | RD14893 | Bail Assembly |
| RD 7787 | Bail Spring Guide A | RD12617 | Bail Trip Strike | RD14894 | Pinion Gear |
| RD 7869 | Screw | RD12628 | Worm Shaft Retainer | RD14895 | Drive Gear |
| RD 7945 | Nut | RD12686 | Bail Spring Cover | RD14896 | Side Cover |
| RD 8776 | Oil Cap | RD12688 | Bail Hold Support Guard | RD14897 | Double Paddle Handle Assembly |
| RD 8916 | Click Spring | RD12693 | Idle Gear | RD14898 | Rear Protector |
| RD 9840 | Line Roller | RD12737 | Screw | RD14899 | Body |
| RD 9841 | Click Pin | RD13064 | Anti-Reverse Lever | RD15065 | Line Roller Collar |
| RD 9856 | Washer | RD13111 | Screw | RD15231 | Key Washer |
| RD 9872 | Screw | RD13241 | Bail Bearing | | |
| RD 9908 | Drag Washer | RD13274 | Ball Bearing | RD14900 | Spare Spool Assembly |
| RD 9911 | Drag Washer | RD13374 | Ball Bearing | | |
| RD10011 | Screw | RD13829 | Ball Bearing | RD14884 | Spool Economizer (accessory) |
| RD10184 | Line Roller Bushing | RD14071 | Oscillating Slider Bushing | | |
| RD10377 | Screw | RD14249 | Line Roller Plate | PK 0082 | Line Roller Set |
| RD10752 | Bail Spring Guide A Support | RD14250 | Line Roller Oil Cap | PK 0070 | Gear Set |
| RD10753 | Bail Spring | RD14788 | Line Roller Support | PK 0071 | Oscillation Set |
| RD10996 | Rotor Nut | RD14802 | Handle Screw Cap | PK 0072 | Bail Spring Set |
| RD11077 | Drag Washers Retainer | RD14830 | Screw | PK 0062 | Bearing Set |
| RD11080 | Anti-Reverse Cam Spring | RD14832 | Spool Support A | PK 0073 | Drag Clicker Set |