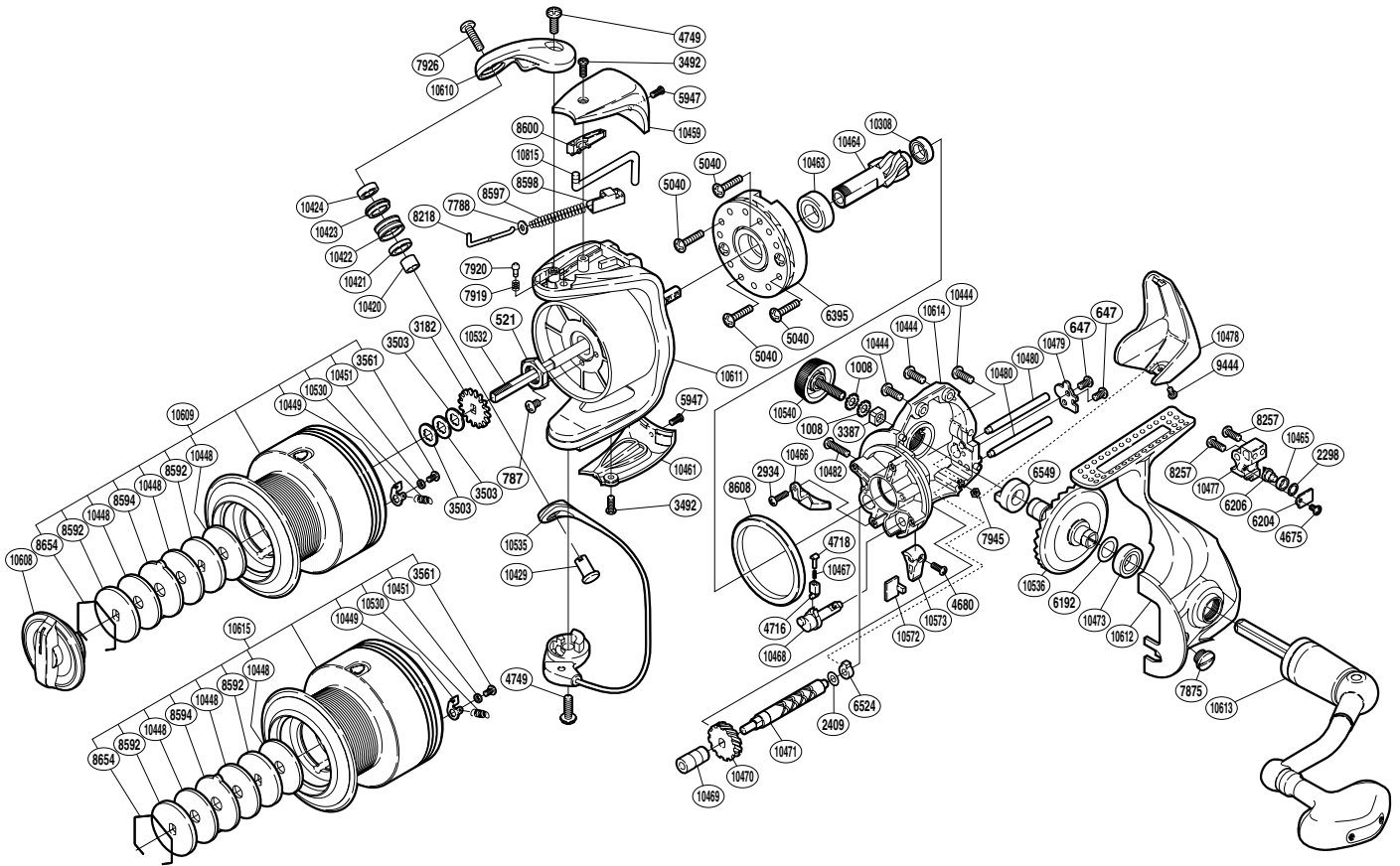


# SHIMANO

STRADIC



STR-6000FB



(1SG086014G)

Part No.	Description	Part No.	Description	Part No.	Description
RD 0521	Rotor Nut	RD 7926	Screw	RD10467	Anti-Reverse Cam Spring
RD 0647	Screw	RD 7945	Nut	RD10468	Anti-Reverse Cam
RD 0787	Screw	RD 8218	Bail Spring Guide A	RD10469	Worm Bushing (front)
RD 1008	Handle Lock Washer	RD 8257	Screw	RD10470	Idle Gear
RD 2298	Spacer	RD 8592	Key Washer	RD10471	Worm Shaft
RD 2409	Spacer	RD 8594	Eared Washer	RD10473	Ball Bearing
RD 2934	Screw	RD 8597	Bail Spring	RD10477	Oscillating Slider
RD 3182	Spool Support	RD 8598	Bail Spring Seat	RD10478	Rear Protector
RD 3387	Handle Screw Lock	RD 8600	Bail Trip Cover	RD10479	Worm Shaft Retainer
RD 3492	Screw	RD 8608	Friction Ring	RD10480	Oscillating Guide
RD 3503	Spool Washer	RD 8654	Drag Washers Retainer	RD10482	Screw
RD 3561	Screw	RD 9444	Screw	RD10530	Click Spring
RD 4675	Screw	RD10308	Ball Bearing	RD10532	Main Shaft
RD 4680	Screw	RD10420	Bearing Spacer	RD10535	Bail Assembly
RD 4716	Spring Guide B	RD10421	Line Roller Collar	RD10536	Drive Gear
RD 4718	Spring Guide A	RD10422	Line Roller	RD10540	Handle Screw Cap
RD 4749	Screw	RD10423	Line Roller Bushing	RD10572	Anti-Reverse Lever Cover
RD 5040	Screw	RD10424	Ball Bearing	RD10573	Anti-Reverse Lever
RD 5947	Screw	RD10429	Line Roller Support	RD10608	Drag Knob
RD 6192	Washer	RD10444	Screw	RD10609	Spool Assembly
RD 6204	Oscillating Pawl Cover	RD10448	Drag Washer	RD10610	Bail Arm
RD 6206	Oscillating Pawl	RD10449	Drag Click	RD10611	Rotor
RD 6395	Roller Clutch Assembly	RD10451	Drag Click Collar	RD10612	Side Cover
RD 6524	Worm Bushing (rear)	RD10459	Bail Spring Cover	RD10613	Handle Assembly
RD 6549	Drive Gear Bushing	RD10461	Rotor Side Cover	RD10614	Body
RD 7788	Spring Guide A Support	RD10463	Ball Bearing	RD10815	Bail Trip Lever
RD 7875	Oil Cap	RD10464	Pinion Gear		
RD 7919	Click Spring	RD10465	Oscillating Slider Bushing		
RD 7920	Click Pin	RD10466	Bail Trip Strike	RD10615	Spare Spool Assembly

(181006)