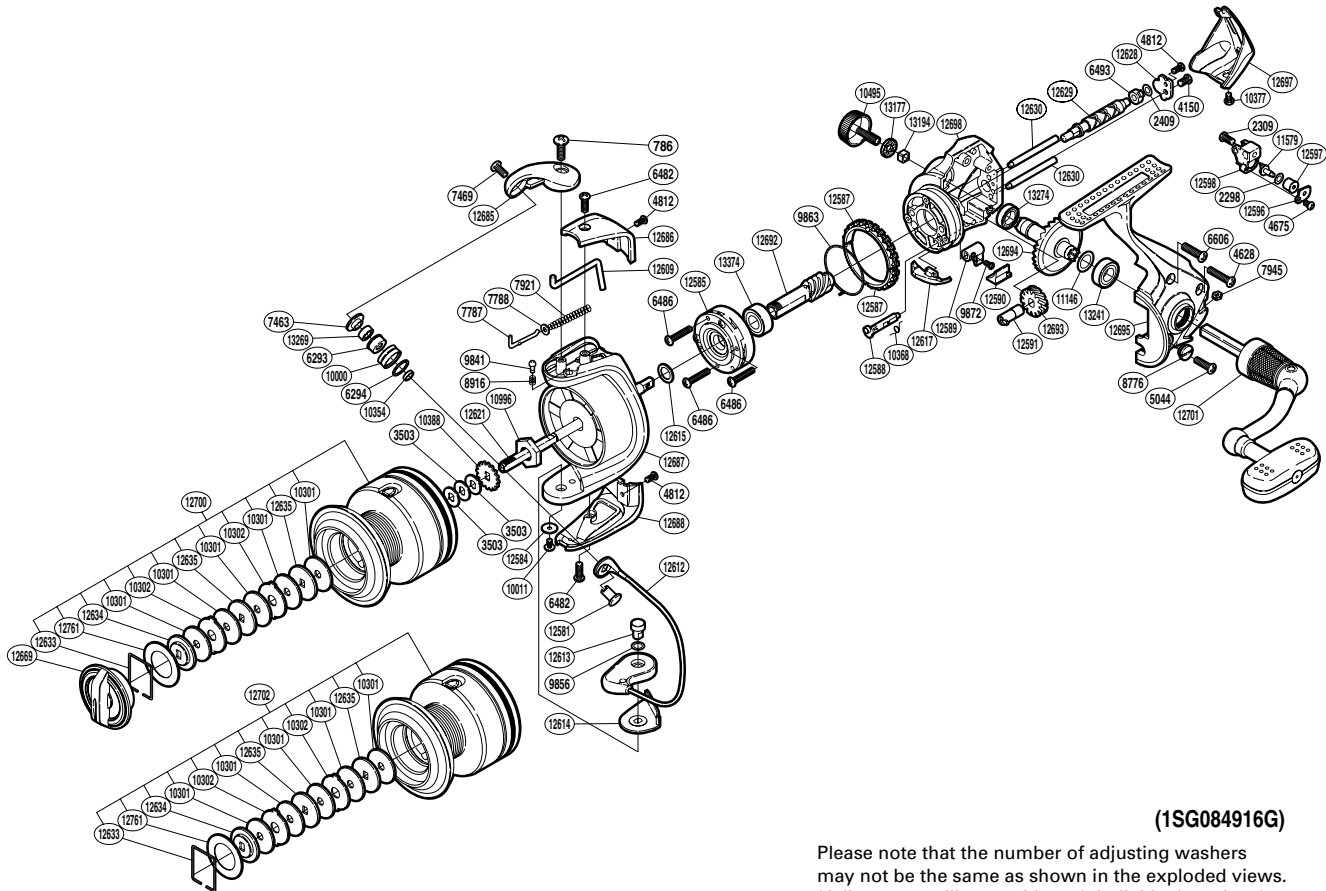


# SHIMANO

STRADIC 

## STR-C5000FC



(1SG084916G)

Please note that the number of adjusting washers may not be the same as shown in the exploded views. (Adjustment will vary with each individual product.)

Part No.	Description	Part No.	Description	Part No.	Description
RD 0786	Screw	RD10011	Screw	RD12628	Worm Shaft Retainer
RD 2298	Spacer	RD10301	Drag Washer	RD12629	Worm Shaft
RD 2309	Screw	RD10302	Eared Washer	RD12630	Oscillating Guide
RD 2409	Spacer	RD10354	Bearing Spacer	RD12633	Drag Washers Retainer
RD 3503	Spool Washer	RD10368	Anti-Reverse Cam Spring	RD12634	Key Washer
RD 4150	Screw	RD10377	Screw	RD12635	Key Washer
RD 4628	Screw	RD10388	Spool Support	RD12669	Drag Knob
RD 4675	Screw	RD10495	Handle Screw Cap	RD12685	Bail Arm
RD 4812	Screw	RD10996	Rotor Nut	RD12686	Bail Spring Cover
RD 5044	Screw	RD11146	Washer	RD12687	Rotor
RD 6293	Line Roller Bushing	RD11579	Oscillating Pawl	RD12688	Bail Hold Support Guard
RD 6294	Line Roller Spacer	RD12581	Line Roller Support	RD12692	Pinion Gear
RD 6482	Screw	RD12584	Washer	RD12693	Idle Gear
RD 6486	Screw	RD12585	Roller Clutch Assembly	RD12694	Drive Gear
RD 6493	Worm Bushing (rear)	RD12587	Friction Ring	RD12695	Side Cover
RD 6606	Screw	RD12588	Anti-Reverse Cam	RD12697	Rear Protector
RD 7463	Line Roller Washer	RD12589	Anti-Reverse Lever	RD12698	Body
RD 7469	Screw	RD12590	Anti-Reverse Lever Cover	RD12700	Spool Assembly
RD 7787	Bail Spring Guide A	RD12591	Worm Bushing (front)	RD12701	Handle Assembly
RD 7788	Spring Guide A Support	RD12596	Oscillating Pawl Cover	RD12761	Retainer Washer
RD 7921	Bail Spring	RD12597	Oscillating Slider Bushing	RD13177	Handle Screw Cap Spacer
RD 7945	Nut	RD12598	Oscillating Slider	RD13194	Handle Screw Lock
RD 8776	Oil Cap	RD12609	Bail Trip Lever	RD13241	Ball Bearing
RD 8916	Click Spring	RD12612	Bail Assembly	RD13269	Ball Bearing
RD 9841	Click Pin	RD12613	Bail Hold Support Shaft	RD13274	Ball Bearing
RD 9856	Washer	RD12614	Bail Hold Support Spacer	RD13374	Ball Bearing
RD 9863	Friction Spring	RD12615	Washer		
RD 9872	Screw	RD12617	Bail Trip Strike		
RD10000	Line Roller	RD12621	Main Shaft	RD12702	Spare Spool Assembly

(220424)