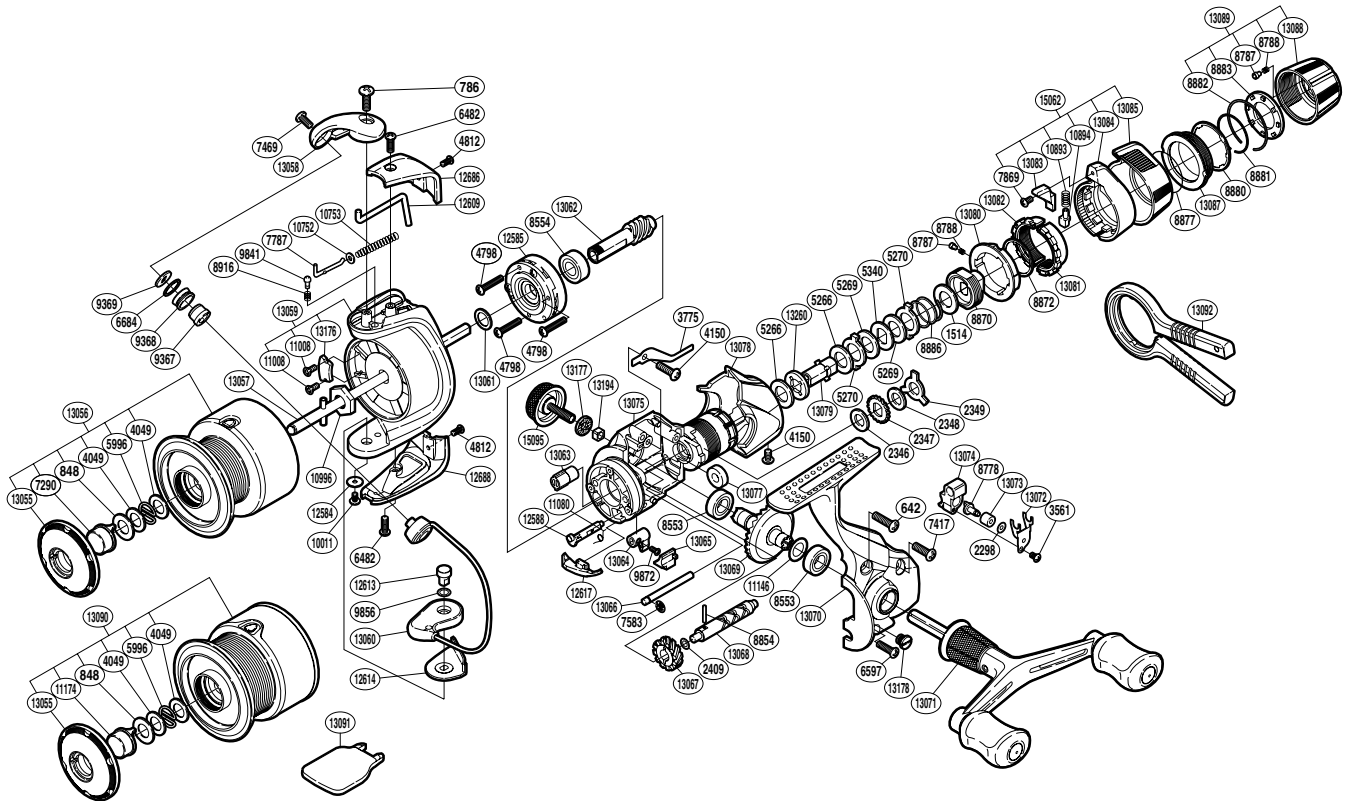


SHIMANO

SUPER

SUP-4000GTRC



(1SG484003G)

Please note that the number of adjusting washers may not be the same as shown in the exploded views. (Adjustment will vary with each individual product.)

| Part No. | Description | Part No. | Description | Part No. | Description |
|----------|--------------------------------|----------|--------------------------|----------|-------------------------------|
| RD 0642 | Screw | RD 8880 | Drag Knob Washer | RD13064 | Anti-Reverse Lever |
| RD 0786 | Screw | RD 8881 | Drag Knob Retainer | RD13065 | Anti-Reverse Lever Cover |
| RD 0848 | Washer | RD 8882 | Click Plate Retainer | RD13066 | Oscillating Guide |
| RD 1514 | Washer | RD 8883 | Click Plate | RD13067 | Idle Gear |
| RD 2298 | Spacer | RD 8886 | Drag Coil Spring | RD13068 | Worm Shaft |
| RD 2346 | Drag Washer | RD 8916 | Click Spring | RD13069 | Drive Gear |
| RD 2347 | Click Gear | RD 9367 | Line Roller Bushing | RD13070 | Side Cover |
| RD 2348 | Drag Washer | RD 9368 | Line Roller | RD13071 | Double Paddle Handle Assembly |
| RD 2349 | Eared Washer | RD 9369 | Line Roller Washer | RD13072 | Oscillating Slider Retainer |
| RD 2409 | Spacer | RD 9841 | Click Pin | RD13073 | Oscillating Slider Bushing |
| RD 3561 | Screw | RD 9856 | Washer | RD13074 | Oscillating Slider |
| RD 3775 | Drag Click | RD 9872 | Screw | RD13075 | Body |
| RD 4049 | Washer | RD10011 | Screw | RD13077 | Drag Shaft C |
| RD 4150 | Screw | RD10752 | Spring Guide A Support | RD13078 | Rear Protector |
| RD 4798 | Screw | RD10753 | Bail Spring | RD13079 | Drag Shaft A |
| RD 4812 | Screw | RD10893 | Position Pin Spring | RD13080 | Lever Click Gear |
| RD 5266 | Drag Washer | RD10894 | Lever Position Pin | RD13081 | Fightin' Pressure Screw |
| RD 5269 | Drag Washer | RD10996 | Rotor Nut | RD13082 | Fightin' Pressure Screw B |
| RD 5270 | Eared Washer | RD11008 | Screw | RD13083 | Fightin' Lever Inner B |
| RD 5340 | Key Washer | RD11080 | Anti-Reverse Cam Spring | RD13084 | Fightin' Lever Inner A |
| RD 5996 | Locking Spring | RD11146 | Washer | RD13085 | Fightin' Lever Outer |
| RD 6482 | Screw | RD12584 | Washer | RD13087 | Drag Programmer B |
| RD 6597 | Screw | RD12585 | Roller Clutch Assembly | RD13088 | Drag Programmer A |
| RD 6684 | Line Roller Spacer | RD12588 | Anti-Reverse Cam | RD13089 | Drag Programmer Assembly |
| RD 7290 | Push Button | RD12609 | Bail Trip Lever | RD13176 | Counter Weight |
| RD 7417 | Screw | RD12613 | Bail Hold Support Shaft | RD13177 | Handle Screw Cap Spacer |
| RD 7469 | Screw | RD12614 | Bail Hold Support Spacer | RD13178 | Oil Cap |
| RD 7583 | E Lock | RD12617 | Bail Trip Strike | RD13194 | Handle Screw Lock |
| RD 7787 | Bail Spring Guide A | RD12686 | Bail Spring Cover | RD13260 | Drag Shaft B |
| RD 7869 | Screw | RD12688 | Bail Hold Support Guard | RD15062 | Fightin' Lever Assembly |
| RD 8553 | Ball Bearing | RD13055 | Push Button Collar | RD15095 | Handle Screw Cap |
| RD 8554 | Ball Bearing | RD13056 | Spool Assembly | | |
| RD 8778 | Oscillating Pawl | RD13057 | Main Shaft | RD11174 | Push Button |
| RD 8787 | Click Pin | RD13058 | Bail Arm | RD13090 | Spare Spool Assembly |
| RD 8788 | Click Spring | RD13059 | Rotor | | |
| RD 8854 | Worm Shaft Pin | RD13060 | Bail Assembly | | |
| RD 8870 | Pressure Screw | RD13061 | Washer | | |
| RD 8872 | Fightin' Pressure Screw Washer | RD13062 | Pinion Gear | RD13091 | Spool Wrench (accessory) |
| RD 8877 | Drag Knob Friction Ring | RD13063 | Worm Bushing | RD13092 | Knob Wrench (accessory) |