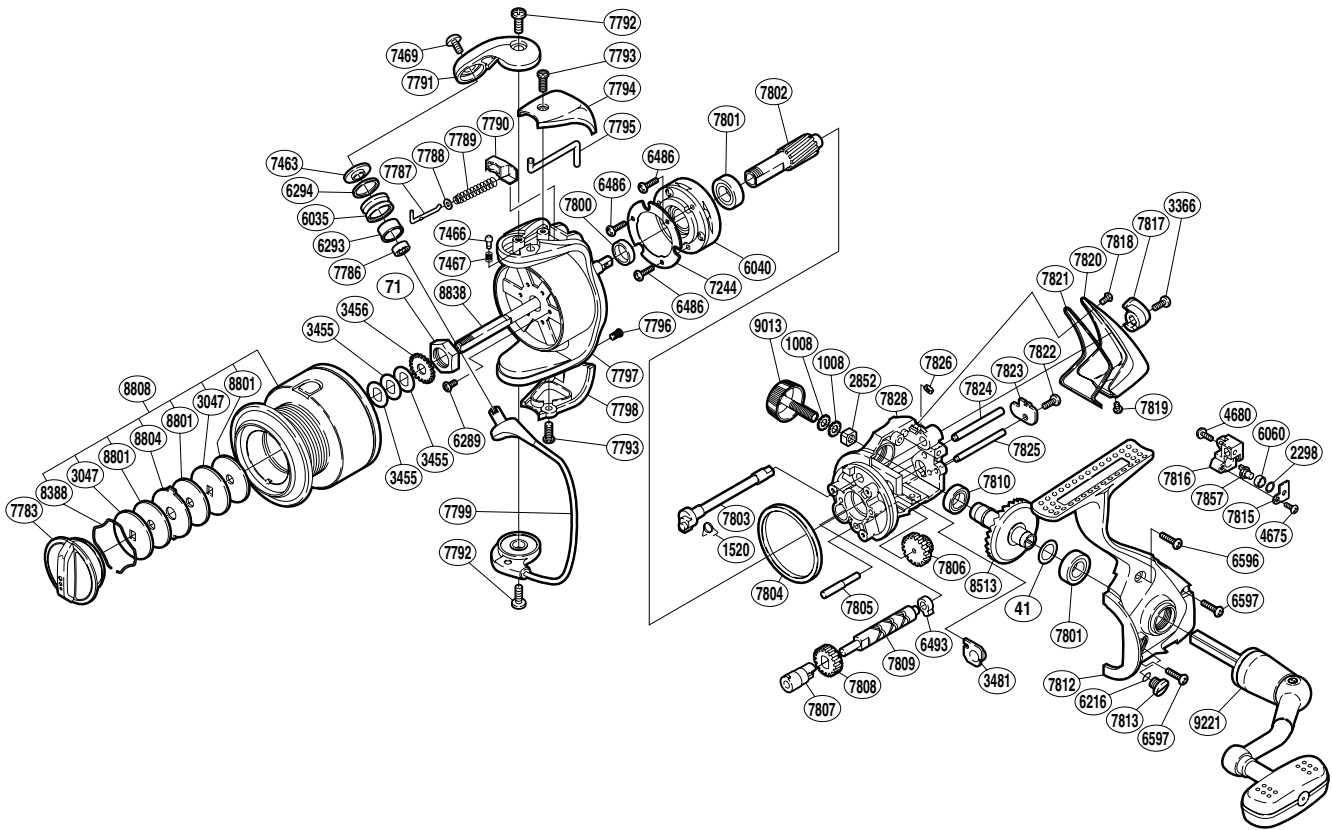


SHIMANO®

SUSTAIN®

SA-2500FD



Part No.	Description	Part No.	Description	Part No.	Description
RD0041	Drive Gear Washer	RD7467	Click Spring	RD7810	Ball Bearing
RD0071	Rotor Nut	RD7469	Line Roller Screw	RD7812	Side Cover
RD1008	Handle Lock Washer	RD7783	Drag Knob	RD7813	Oil Cap
RD1520	Anti-Reverse Cam Spring	RD7786	Ball Bearing	RD7815	Oscillating Pawl Cover
RD2298	Spacer	RD7787	Bail Spring Guide (A)	RD7816	Oscillating Slider
RD2852	Handle Screw Lock	RD7788	Spring Guide (A) Support	RD7817	Anti-Reverse Lever
RD3047	Key Washer	RD7789	Bail Spring	RD7818	Rear Protector Screw (B)
RD3366	Anti-Reverse Lever Screw	RD7790	Bail Spring Seat	RD7819	Rear Protector Screw (C)
RD3455	Spool Washer	RD7791	Bail Arm	RD7820	Rear Protector
RD3456	Spool Support	RD7792	Multi-Purpose Screw	RD7821	Rear Shield
RD3481	Bushing	RD7793	Multi-Purpose Screw	RD7822	Worm Shaft Retainer Screw
RD4675	Oscillating Pawl Cover Screw	RD7794	Bail Spring Cover	RD7823	Worm Shaft Retainer
RD4680	Slider Retainer Screw	RD7795	Bail Trip Lever	RD7824	Oscillating Guide (B)
RD6035	Line Roller	RD7796	Bail Hold Support Guard Screw	RD7825	Oscillating Guide (A)
RD6040	Roller Clutch Assembly	RD7797	Rotor	RD7826	Rear Protector Nut
RD6060	Oscillating Slider Bushing	RD7798	Bail Hold Support Guard	RD7828	Body
RD6216	"O" Ring	RD7799	Bail Assembly	RD7857	Oscillating Pawl
RD6289	Nut Lock Screw	RD7800	Rotor Ring	RD8513	Drive Gear
RD6293	Line Roller Bushing	RD7801	Ball Bearing	RD8388	Drag Washers Retainer
RD6294	Line Roller Spacer	RD7802	Pinion Gear	RD8801	Drag Washer
RD6486	Roller Clutch Screw	RD7803	Anti-Reverse Cam	RD8804	Eared Washer
RD6493	Worm Bushing (rear)	RD7804	Friction Ring	RD8808	Spool Assembly
RD6596	Side Cover Screw (short)	RD7805	Idle Gear (B) Shaft	RD8838	Main Shaft
RD6597	Side Cover Screw (long)	RD7806	Idle Gear (B)	RD9013	Handle Screw Cap
RD7244	Roller Clutch Reinforce	RD7807	Worm Bushing (front)	RD9221	Handle Assembly
RD7463	Line Roller Washer	RD7808	Idle Gear		
RD7466	Click Pin	RD7809	Worm Shaft		