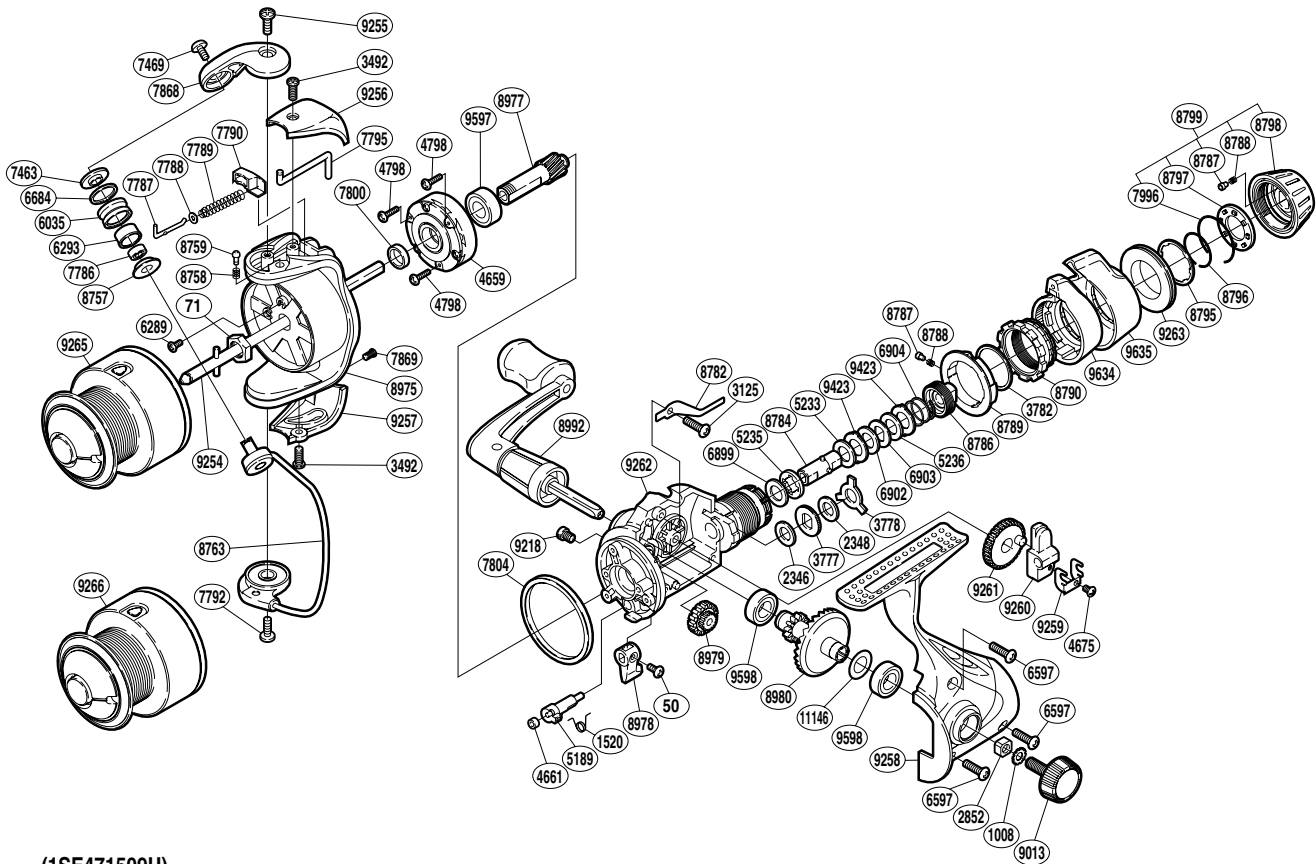


SHIMANO

SYMETRE

SY-1500RI



(1SE471509U)

Part No.	Description	Part No.	Description	Part No.	Description
RD 0050	Screw	RD 7463	Line Roller Washer	RD 8799	Drag Programmer Assembly
RD 0071	Rotor Nut	RD 7469	Screw	RD 8975	Rotor
RD 1008	Handle Lock Washer	RD 7786	Ball Bearing	RD 8977	Pinion Gear
RD 1520	Anti-Reverse Cam Spring	RD 7787	Bail Spring Guide (A)	RD 8978	Anti-Reverse Lever
RD 2346	Drag Washer C (cloth)	RD 7788	Spring Guide (A) Support	RD 8979	Idle Gear
RD 2348	Drag Washer C (blue)	RD 7789	Bail Spring	RD 8980	Drive Gear
RD 2852	Handle Screw Lock	RD 7790	Bail Spring Seat	RD 8992	Handle Assembly
RD 3125	Screw	RD 7792	Screw	RD 9013	Handle Screw Cap
RD 3492	Screw	RD 7795	Bail Trip Lever	RD 9218	Oil Cap
RD 3777	Click Gear	RD 7800	Rotor Ring	RD 9254	Main Shaft
RD 3778	Eared Washer Bf	RD 7804	Friction Ring	RD 9255	Screw
RD 3782	Fightin' Pressure Screw Washer	RD 7868	Bail Arm	RD 9256	Bail Spring Cover
RD 4659	Roller Clutch Assembly	RD 7869	Screw	RD 9257	Bail Hold Support Guard
RD 4661	Anti-Reverse Cam Ring	RD 7996	Click Plate Retainer	RD 9258	Side Cover
RD 4675	Screw	RD 8757	Bearing Spacer	RD 9259	Oscillating Slider Retainer
RD 4798	Screw	RD 8758	Click Spring	RD 9260	Oscillating Slider
RD 5189	Anti-Reverse Cam	RD 8759	Click Pin	RD 9261	Oscillating Gear
RD 5233	Drag Washer H (cloth)	RD 8763	Bail Assembly	RD 9262	Body
RD 5235	Drag Shaft (B)	RD 8782	Drag Click	RD 9263	Drag Programmer (B)
RD 5236	Drag Washer H (white plastic)	RD 8784	Drag Shaft (A)	RD 9265	Spool Assembly
RD 6035	Line Roller	RD 8786	Pressure Screw	RD 9266	Spare Spool Assembly
RD 6289	Screw	RD 8787	Click Pin	RD 9423	Eared Washer B
RD 6293	Line Roller Bushing	RD 8788	Click Spring	RD 9597	Ball Bearing
RD 6597	Screw	RD 8789	Lever Click Gear	RD 9598	Ball Bearing
RD 6684	Line Roller Spacer	RD 8790	Fightin' Pressure Screw	RD 9634	Fightin' Lever Inner (A)
RD 6899	Drag Washer C (cloth)	RD 8795	Drag Knob Washer	RD 9635	Fightin' Lever Outer
RD 6902	Drag Washer F (white plastic)	RD 8796	Drag Knob Retainer	RD11146	Washer
RD 6903	Key Washer A	RD 8797	Click Plate		
RD 6904	Drag Coil Spring	RD 8798	Drag Programmer (A)		

(181103)