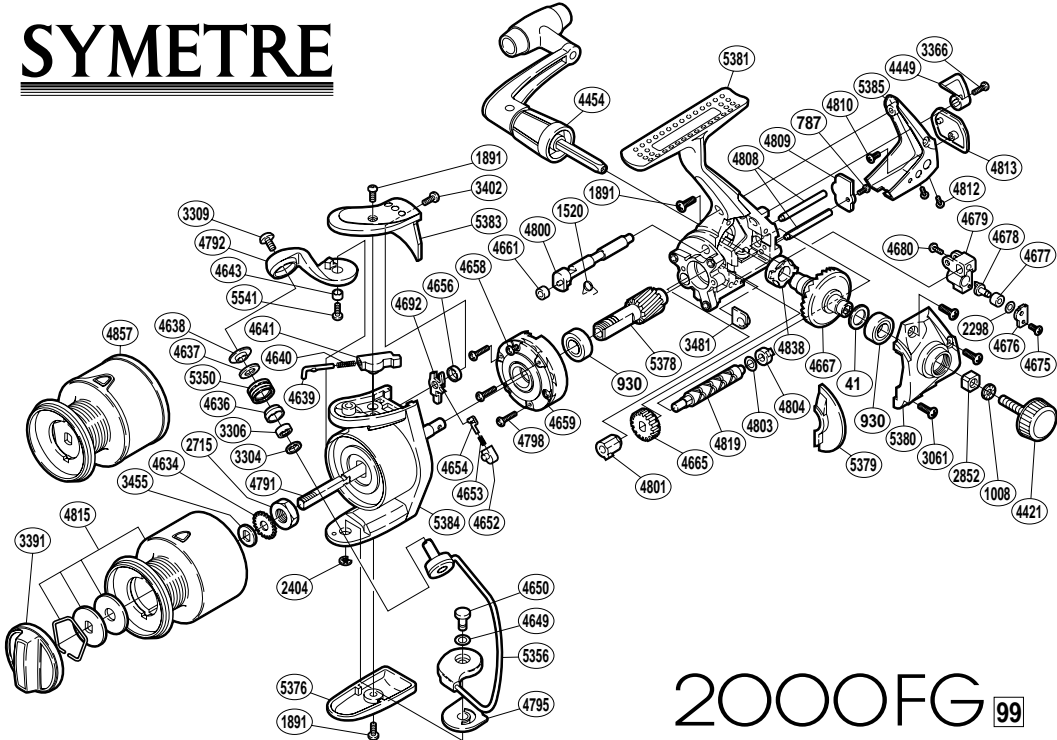


# SYMETRE



2000FG 99

RD No.	PARTS NAMES	RD No.	PARTS NAMES	RD No.	PARTS NAMES
0041	Drive Gear Washer	4639	Bail Spring Guide (A)	4800	Anti-Reverse Cam
0787	Worm Shaft Retainer Screw	4640	Bail Spring	4801	Worm Bushing (front)
0930	Ball Bearing	4641	Bail Spring Guide (B)	4803	Worm Shaft Spacer
1008	Handle Lock Washer	4643	Bail Arm Bushing	4804	Worm Bushing (rear)
1520	Anti-Reverse Cam Spring	4649	Spacer	4808	Oscillating Guide
1891	Multi-Purpose Screw	4650	Bail Hold Support Shaft	4809	Worm Shaft Retainer
2298	Spacer	4652	Lever Spring Guide (B)	4810	Rear Protector Screw
2404	"E" Lock	4653	Lever Spring	4812	Rear Cover Screw (small)
2715	Rotor Nut	4654	Lever Spring Guide (A)	4813	Rear Protector
2852	Handle Screw Lock	4656	Trip Lever Spacer	4815	Spool Assembly (aluminum)
3061	Side Cover Screw	4658	Clutch Cover Screw	4819	Worm Shaft
3304	Bearing Spacer	4659	Roller Clutch Assembly	4838	Drive Gear Bushing
3306	Line Roller Bearing	4661	Anti-Reverse Cam Ring	4857	Spool Assembly (graphite)
3309	Line Roller Screw	4665	Idle Gear	5350	Line Roller
3366	Anti-Reverse Lever Screw	4667	Drive Gear	5356	Bail Assembly
3391	Drag Knob	4675	Oscillating Pawl Cover Screw	5376	Bail Hold Support Guard
3402	Bail Spring Cover Screw (small)	4676	Oscillating Pawl Cover	5378	Pinion Gear
3455	Spool Washer	4677	Oscillating Slider Bushing	5379	Side Cover Flange
3481	Bushing	4678	Oscillating Pawl	5380	Side Cover
4421	Handle Screw Cap	4679	Oscillating Slider	5381	Body
4449	Anti-Reverse Lever	4680	Slider Retainer Screw	5383	Bail Spring Cover
4454	Handle Assembly	4692	Bail Trip Lever	5384	Rotor
4634	Spool Support	4791	Main Shaft	5385	Rear Cover
4636	Line Roller Bushing	4792	Bail Arm	5541	Bail Arm Screw
4637	Line Roller Spacer	4795	Bail Hold Support Spacer		
4638	Line Roller Washer	4798	Roller Clutch Screw		

(100828)