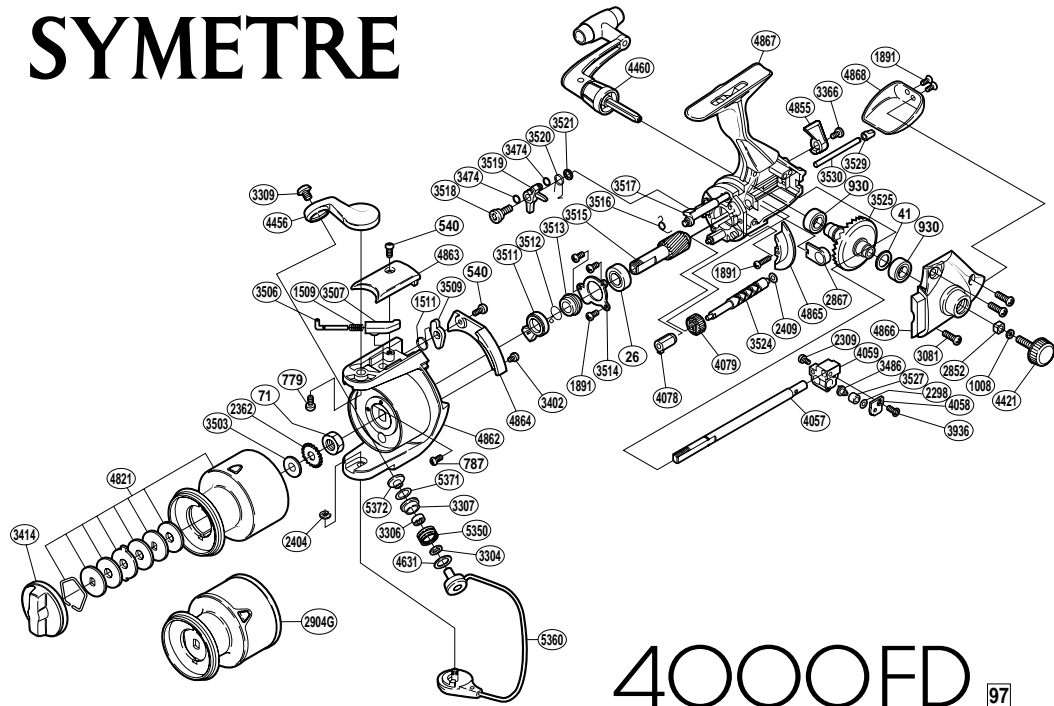


# SYMETRE



## 4000FD

97

RD No.	PARTS NAMES	RD No.	PARTS NAMES	RD No.	PARTS NAMES
0026	Ball Bearing	3366	Anti-Reverse Lever Screw	3530	Oscillating Guide
0041	Drive Gear Washer	3402	Cover Screw	3936	Oscillating Pawl Cover Screw
0071	Rotor Nut	3414	Drag Knob	4057	Main Shaft
0540	Multi Purpose Screw	3474	"O" Ring	4058	Oscillating Pawl Cover
0779	Bail Arm Screw	3486	Oscillating Pawl	4059	Oscillating Slider
0787	Nut Lock Screw	3503	Spool Washer	4078	Worm Bearing
0930	Ball Bearing	3506	Bail Spring Guide (A)	4079	Idle Gear
1008	Handle Lock Washer	3507	Bail Spring Guide (B)	4421	Handle Screw Cap
1509	Bail Spring	3509	Bail Trip Lever	4456	Bail Arm
1511	Lever Spring	3511	Anti-Reverse Lock Out	4460	Handle Assembly
1891	Multi Purpose Screw	3512	Anti-Reverse Lock Out Spring	4631	Spacer
2298	Spacer	3513	Lock Out Spring Holder	4821	Spool Assembly (aluminum)
2309	Slider Retainer Screw	3514	Bearing Retainer	4855	Anti-Reverse Lever
2362	Spool Support	3515	Pinion Gear	4862	Rotor
2404	"E" Lock	3516	Anti-Reverse Cam Spring	4863	Bail Spring Cover
2409	Worm Shaft Spacer	3517	Anti-Reverse Cam	4864	Counterbalance Cover
2852	Handle Screw Lock	3518	Anti-Reverse Pawl Screw	4865	Side Cover Flange
2867	Bushing	3519	Anti-Reverse Pawl	4866	Side Cover
2904G	Spool Assembly (graphite)	3520	Anti-Reverse Pawl Spring	4867	Body
3081	Side Cover Screw	3521	Anti-Reverse Pawl Spacer	4868	Rear Protector
3304	Bearing Spacer	3524	Worm Shaft	5350	Line Roller
3306	Line Roller Bearing	3525	Drive Gear	5360	Bail Assembly
3307	Line Roller Bushing	3527	Oscillating Slider Bushing	5371	Spacer
3309	Line Roller Screw	3529	Oscillating Guide Holder	5372	Line Roller Washer

(080912)