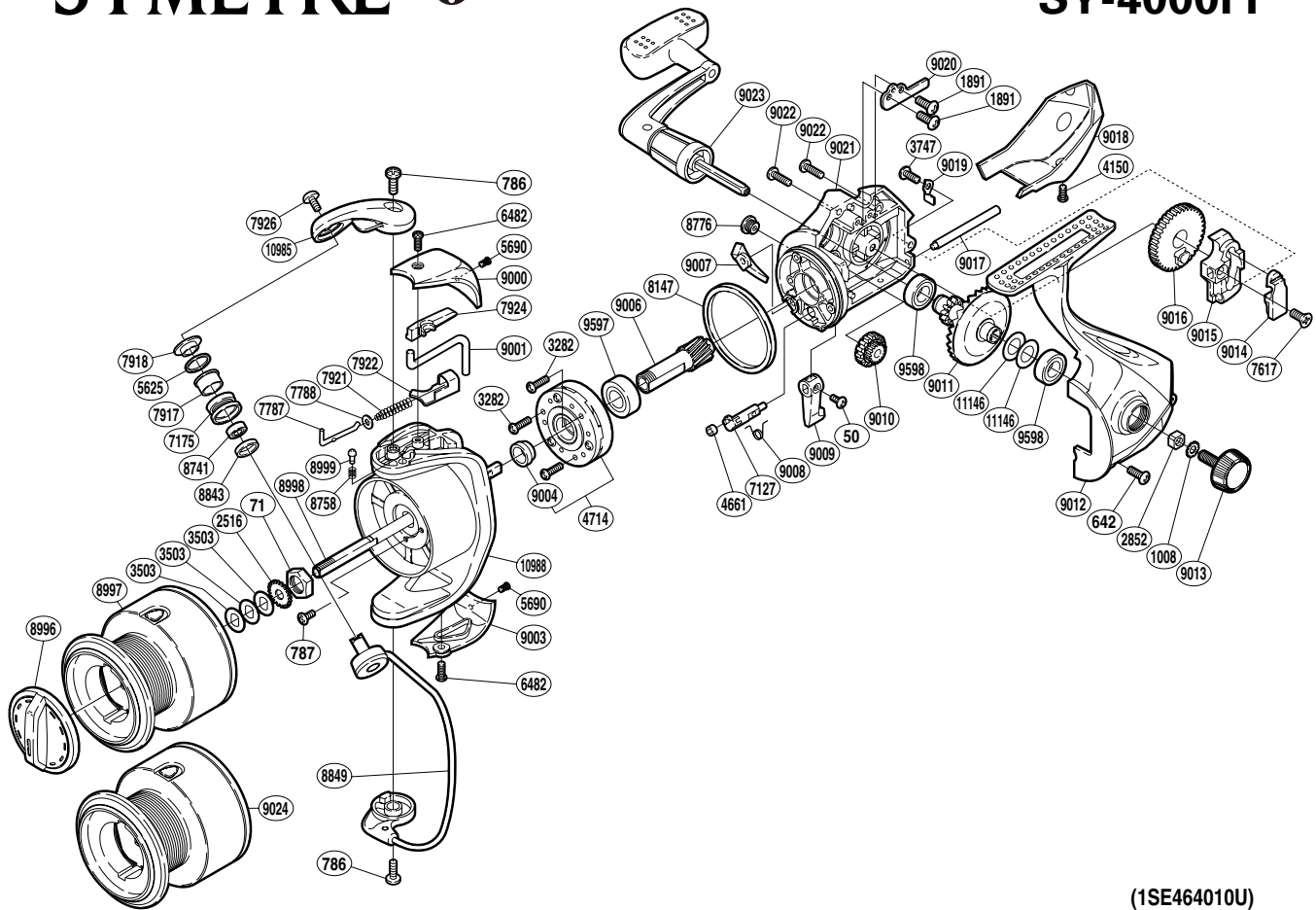


SHIMANO

SYMETRE

SY-4000FI



(1SE464010U)

Part No.	Description	Part No.	Description	Part No.	Description
RD 0050	Anti-Reverse Lever Screw	RD 7917	Line Roller Bushing	RD 9009	Anti-Reverse Lever
RD 0071	Rotor Nut	RD 7918	Line Roller Washer	RD 9010	Idle Gear
RD 0642	Side Cover Screw	RD 7921	Bail Spring	RD 9011	Drive Gear
RD 0786	Screw	RD 7922	Bail Spring Seat	RD 9012	Side Cover
RD 0787	Nut Lock Screw	RD 7924	Bail Trip Cover	RD 9013	Handle Screw Cap
RD 1008	Handle Lock Washer	RD 7926	Line Roller Screw	RD 9014	Oscillating Slider Inner
RD 1891	Oscillating Guide Plate Screw	RD 8147	Friction Ring	RD 9015	Oscillating Slider
RD 2516	Spool Support	RD 8741	Ball Bearing	RD 9016	Oscillating Gear
RD 2852	Handle Screw Lock	RD 8758	Click Spring	RD 9017	Oscillating Guide
RD 3282	Roller Clutch Screw	RD 8776	Oil Cap	RD 9018	Rear Protector
RD 3503	Spool Washer	RD 8843	Bearing Spacer	RD 9019	Oscillating Guide Retainer
RD 3747	Body Screw (short)	RD 8849	Bail Assembly	RD 9020	Oscillating Guide Plate
RD 4150	Rear Protector Screw	RD 8996	Drag Knob	RD 9021	Body
RD 4661	Anti-Reverse Cam Ring	RD 8997	Spool Assembly (gold+silver)	RD 9022	Body Screw (long)
RD 4714	Roller Clutch Assembly	RD 8998	Main Shaft	RD 9023	Handle Assembly
RD 5625	Line Roller Spacer	RD 8999	Click Pin	RD 9024	Spool Assembly (silver)
RD 5690	Protector Screw (B)	RD 9000	Bail Spring Cover	RD 9597	Ball Bearing
RD 6482	Protector Screw (A)	RD 9001	Bail Trip Lever	RD 9598	Ball Bearing
RD 7127	Anti-Reverse Cam	RD 9003	Bail Hold Support Guard	RD10985	Bail Arm
RD 7175	Line Roller	RD 9004	Clutch Inner	RD10988	Rotor
RD 7617	Slider Retainer Screw	RD 9006	Pinion Gear	RD11146	Washer
RD 7787	Bail Spring Guide (A)	RD 9007	Bail Trip Strike		
RD 7788	Spring Guide (A) Support	RD 9008	Anti-Reverse Cam Spring		

(181017)