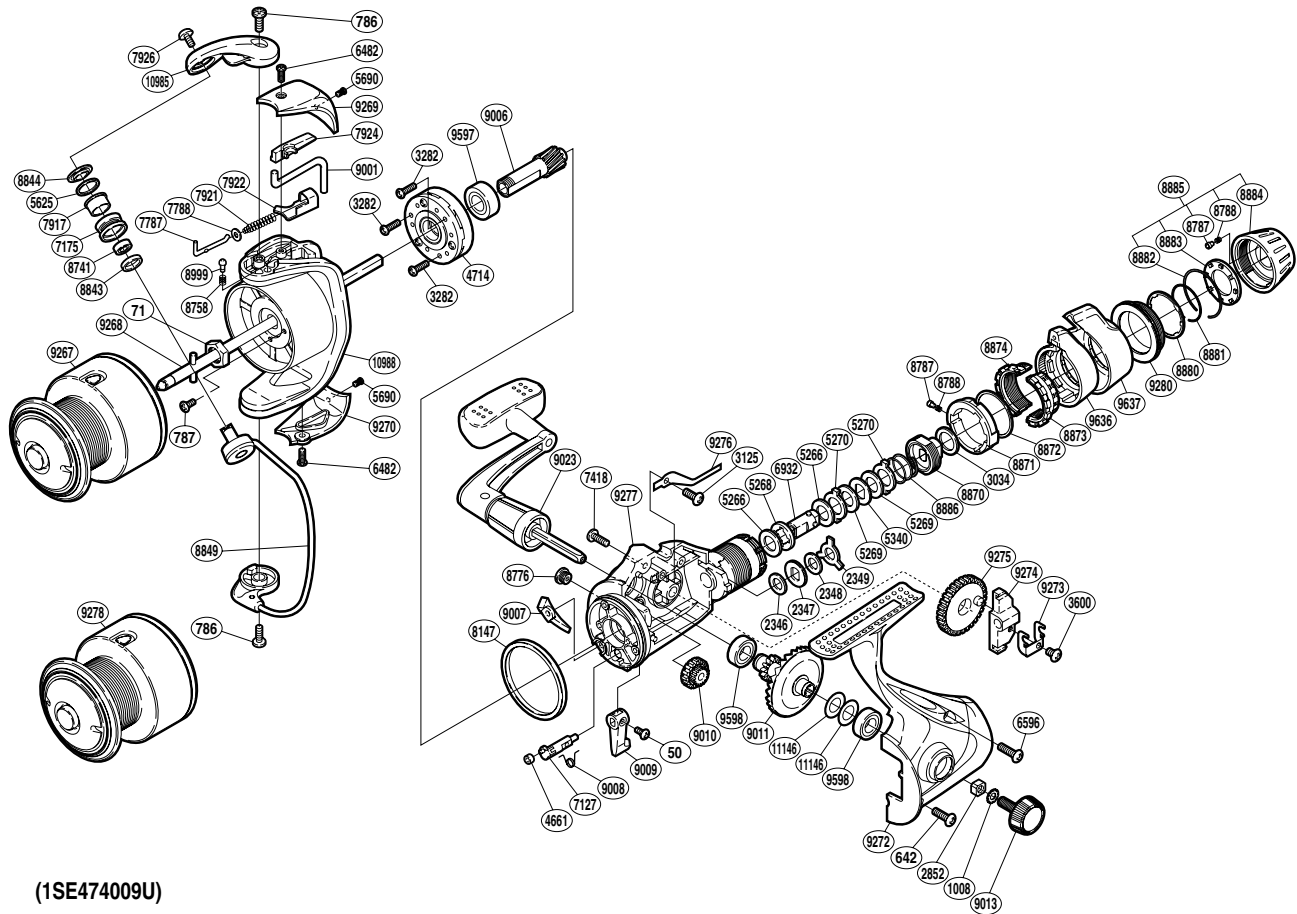


SHIMANO

SYMETRE

SY-4000RI



(1SE474009U)

Part No.	Description	Part No.	Description	Part No.	Description
RD 0050	Screw	RD 7418	Screw	RD 8999	Click Pin
RD 0071	Rotor Nut	RD 7787	Bail Spring Guide (A)	RD 9001	Bail Trip Lever
RD 0642	Screw	RD 7788	Spring Guide (A) Support	RD 9006	Pinion Gear
RD 0786	Screw	RD 7917	Line Roller Bushing	RD 9007	Bail Trip Strike
RD 0787	Screw	RD 7921	Bail Spring	RD 9008	Anti-Reverse Cam Spring
RD 1008	Handle Lock Washer	RD 7922	Bail Spring Seat	RD 9009	Anti-Reverse Lever
RD 2346	Drag Washer C (cloth)	RD 7924	Bail Trip Cover	RD 9010	Idle Gear
RD 2347	Click Gear	RD 7926	Screw	RD 9011	Drive Gear
RD 2348	Drag Washer C (blue)	RD 8147	Friction Ring	RD 9013	Handle Screw Cap
RD 2349	Eared Washer Bf	RD 8741	Ball Bearing	RD 9023	Handle Assembly
RD 2852	Handle Screw Lock	RD 8758	Click Spring	RD 9267	Spool Assembly
RD 3034	Spacer	RD 8776	Oil Cap	RD 9268	Main Shaft
RD 3125	Screw	RD 8787	Click Pin	RD 9269	Bail Spring Cover
RD 3282	Screw	RD 8788	Click Spring	RD 9270	Bail Hold Support Guard
RD 3600	Screw	RD 8843	Bearing Spacer	RD 9272	Side Cover
RD 4661	Anti-Reverse Cam Ring	RD 8844	Line Roller Washer	RD 9273	Oscillating Slider Retainer
RD 4714	Roller Clutch Assembly	RD 8849	Bail Assembly	RD 9274	Oscillating Slider
RD 5266	Drag Washer H (cloth)	RD 8870	Pressure Screw	RD 9275	Oscillating Gear
RD 5268	Drag Shaft (B)	RD 8871	Lever Click Gear	RD 9276	Drag Click
RD 5269	Drag Washer H (blue)	RD 8872	Fightin' Pressure Screw Washer	RD 9277	Body
RD 5270	Eared Washer B	RD 8873	Fightin' Pressure Screw	RD 9278	Spare Spool Assembly
RD 5340	Key Washer A	RD 8874	Fightin' Pressure Screw (B)	RD 9280	Drag Programmer (B)
RD 5625	Line Roller Spacer	RD 8880	Drag Knob Washer	RD 9597	Ball Bearing
RD 5690	Screw	RD 8881	Drag Knob Retainer	RD 9598	Ball Bearing
RD 6482	Screw	RD 8882	Click Plate Retainer	RD 9636	Fightin' Lever Inner (A)
RD 6596	Screw	RD 8883	Click Plate	RD 9637	Fightin' Lever Outer
RD 6932	Drag Shaft (A)	RD 8884	Drag Programmer (A)	RD10985	Bail Arm
RD 7127	Anti-Reverse Cam	RD 8885	Drag Programmer Assembly	RD10988	Rotor
RD 7175	Line Roller	RD 8886	Drag Coil Spring	RD11146	Washer

(181103)