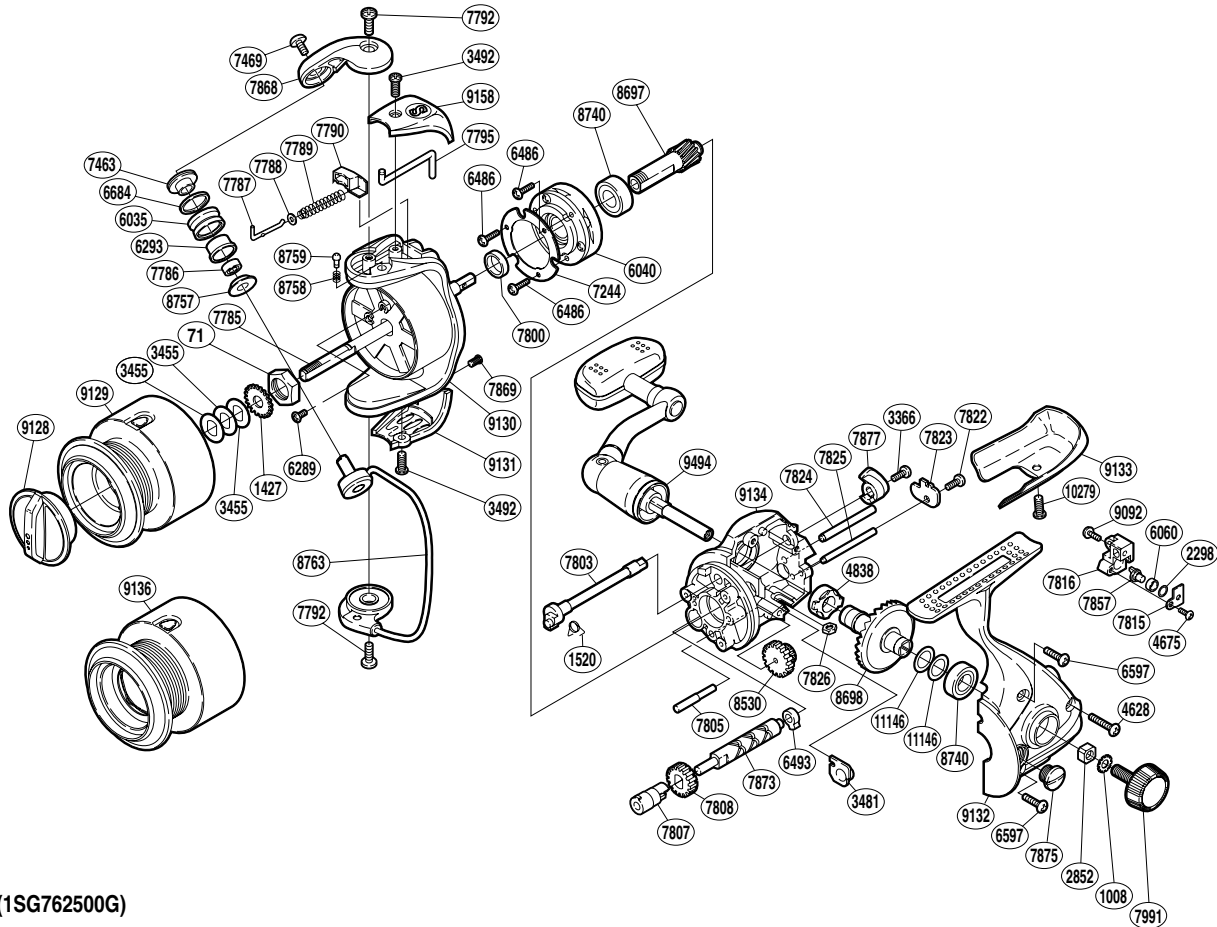


SHIMANO

TECHNIUM A-RB

TEC-2500FA



(1SG762500G)

Part No.	Description	Part No.	Description	Part No.	Description
RD 0071	Rotor Nut	RD 7785	Main Shaft	RD 7877	Anti-Reverse Lever
RD 1008	Handle Lock Washer	RD 7786	Ball Bearing	RD 7991	Handle Screw Cap
RD 1427	Spool Support	RD 7787	Bail Spring Guide (A)	RD 8530	Idle Gear (B)
RD 1520	Anti-Reverse Cam Spring	RD 7788	Spring Guide (A) Support	RD 8697	Pinion Gear
RD 2298	Spacer	RD 7789	Bail Spring	RD 8698	Drive Gear
RD 2852	Handle Screw Lock	RD 7790	Bail Spring Seat	RD 8740	Ball Bearing
RD 3366	Anti-Reverse Lever Screw	RD 7792	Screw	RD 8757	Bearing Spacer
RD 3455	Spool Washer	RD 7795	Bail Trip Lever	RD 8758	Click Spring
RD 3481	Bushing	RD 7800	Rotor Ring	RD 8759	Click Pin
RD 3492	Protector Screw (A)	RD 7803	Anti-Reverse Cam	RD 8763	Bail Assembly
RD 4628	Side Cover Screw (long)	RD 7805	Idle Gear (B) Shaft	RD 9092	Slider Retainer Screw
RD 4675	Oscillating Pawl Cover Screw	RD 7807	Worm Bushing (front)	RD 9128	Drag Knob
RD 4838	Drive Gear Bushing	RD 7808	Idle Gear	RD 9129	Spool Assembly
RD 6035	Line Roller	RD 7815	Oscillating Pawl Cover	RD 9130	Rotor
RD 6040	Roller Clutch Assembly	RD 7816	Oscillating Slider	RD 9131	Bail Hold Support Guard
RD 6060	Oscillating Slider Bushing	RD 7822	Worm Shaft Retainer Screw	RD 9132	Side Cover
RD 6289	Nut Lock Screw	RD 7823	Worm Shaft Retainer	RD 9133	Rear Protector
RD 6293	Line Roller Bushing	RD 7824	Oscillating Guide (B)	RD 9134	Body
RD 6486	Roller Clutch Screw	RD 7825	Oscillating Guide (A)	RD 9136	Spare Spool Assembly
RD 6493	Worm Bushing (rear)	RD 7826	Rear Protector Nut	RD 9158	Bail Spring Cover
RD 6597	Side Cover Screw (short)	RD 7857	Oscillating Pawl	RD 9494	Handle Assembly
RD 6684	Line Roller Spacer	RD 7868	Bail Arm	RD10279	Rear Protector Screw
RD 7244	Roller Clutch Reinforce	RD 7869	Protector Screw (B)	RD11146	Washer
RD 7463	Line Roller Washer	RD 7873	Worm Shaft		
RD 7469	Line Roller Screw	RD 7875	Oil Cap		

(181017)